

Scan to watch the installation video
<https://delivr.com/23y5t>



IMPORTANT:

Before you begin, make sure you familiarize yourself with all the parts and fully read the instructions.

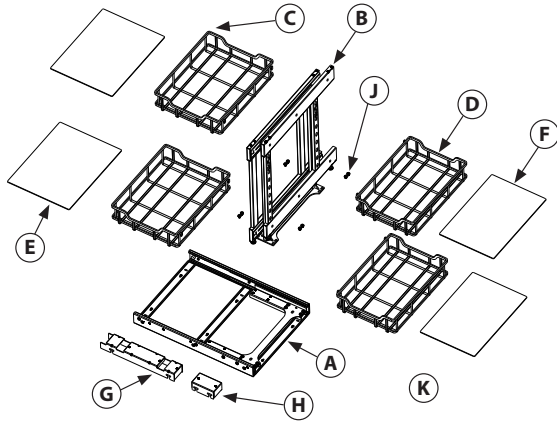
CUSTOMER SERVICE:

Toll free customer help line available weekdays between 7:00am and 6:00pm Central Time at 800-463-0660.

TOOLS NECESSARY:

Screw gun or Phillips screwdriver, level and tape measure. NOTE: If screw gun has a clutch, set to lowest setting so as not to over tighten and/or strip screws.

PARTS IDENTIFICATION:



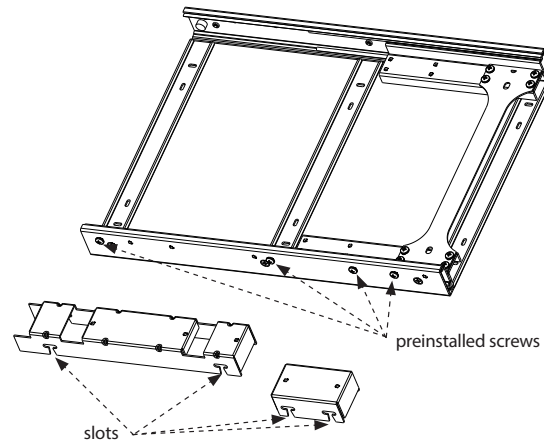
A	Base Assembly	1 pc
B	Basket Assembly	1 pc
C	Primary Basket	2 pcs
D	Secondary Basket	2 pcs
E	Primary Liner	2 pcs
F	Secondary Liner	2 pcs
G	Roller Guide Bracket	1 pc
H	Installation Hinge Spacer	1 pc
J	M6 x 8 mm Pan Head Machine Screw	8 pcs
K	#8 Pan Head Wood Screw	8 pcs

Installation Instructions for the SWS-BC Series

Storage with Style Blind Corner Organizer Left-handed

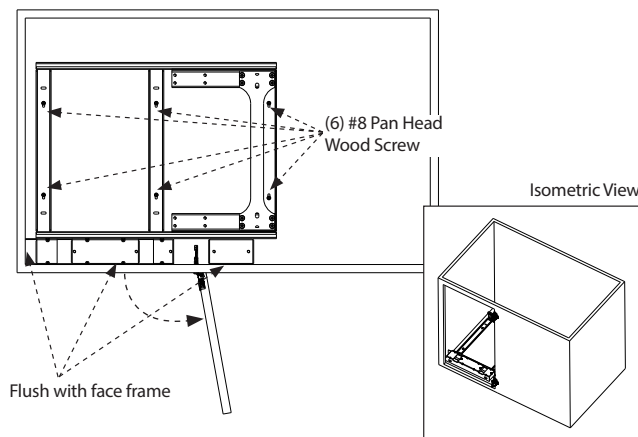
(Ships left-handed)

STEP 1 - Install Guide and Spacer



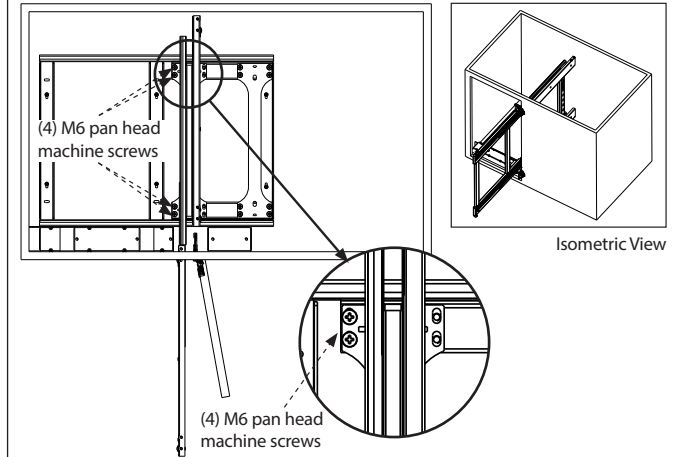
Loosen the preinstalled screws on the Base Assembly. Align the slots on the Roller Guide Bracket and Hinge Spacer with the screws and slide into place. Tighten screws.

STEP 2 - Install Base Assembly



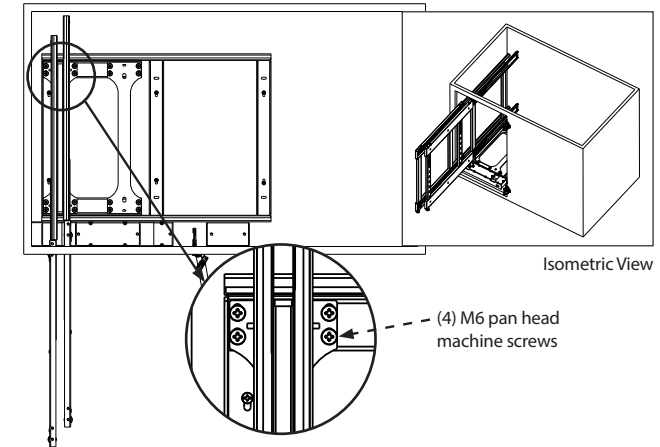
Position the Roller Guide Bracket and Installation Hinge Spacer against the back of the face frame or 3/4" behind opening on frameless application. Install completed Base Assembly to the cabinet floor with (6) #8 Pan Head Wood screw. Remove all tie wraps securing the assembly.

STEP 3 - Secure Basket Assembly-Left



Align the Basket Assembly on to the base assembly as shown. Remove all tie wraps that secure the assembly. Extend the left side of the basket assembly to the outside of the cabinet. Firmly secure using (4) M6 pan head machine screws.

STEP 4 - Secure Basket Assembly-Right



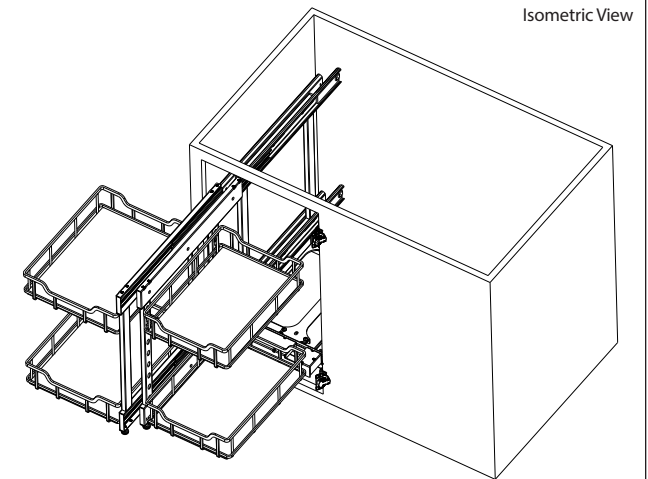
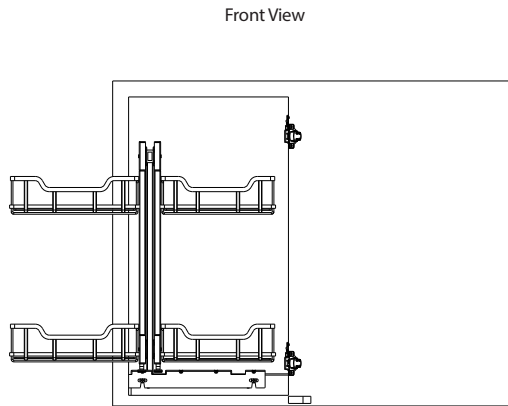
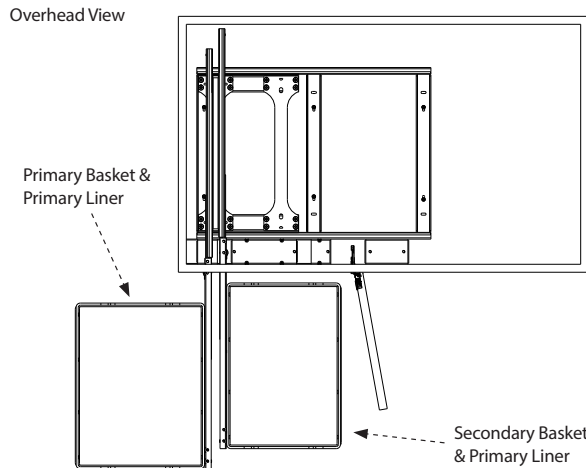
With the left side of the basket assembly is still extended, slide the complete assembly to the left side of the cabinet. Extend the right side of the basket assembly to the outside of the cabinet. Install the remaining (4) M6 pan head machine screws as shown.

Storage with Style Blind Corner Organizer

Installation Instructions for the SWS-BC Series Left-handed

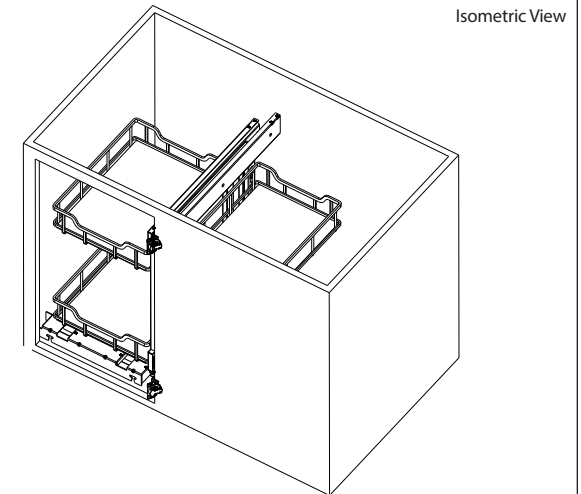
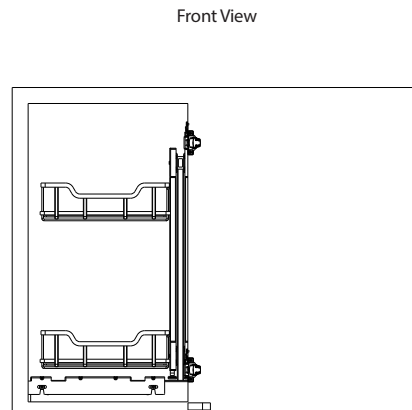
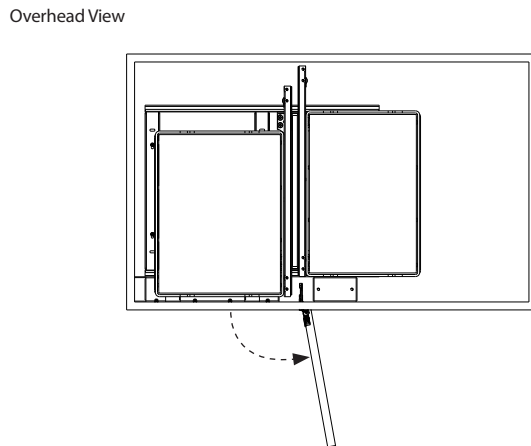
hardware
resources[®]

STEP 5 - Attaching Basket/Liners



With both sides of the basket assembly in position, attach the baskets to the basket assembly. Install the basket liners to their corresponding baskets.

STEP 6 - Complete System Inside Cabinet



Slide the right basket assembly into the cabinet. Slide the completed assembly to the right. Slide the left baskets assembly into the cabinet to complete the installation.

Scan to watch the installation video
<https://delivr.com/23y5t>



IMPORTANT:

Before you begin, make sure you familiarize yourself with all the parts and fully read the instructions.

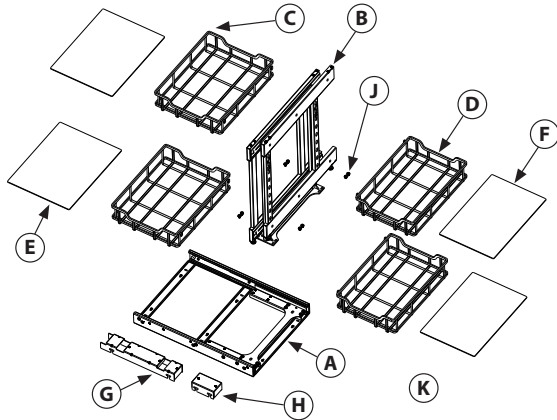
CUSTOMER SERVICE:

Toll free customer help line available weekdays between 7:00am and 6:00pm Central Time at 800-463-0660.

TOOLS NECESSARY:

Screw gun or Phillips screwdriver, level and tape measure. NOTE: If screw gun has a clutch, set to lowest setting so as not to over tighten and/or strip screws.

PARTS IDENTIFICATION:

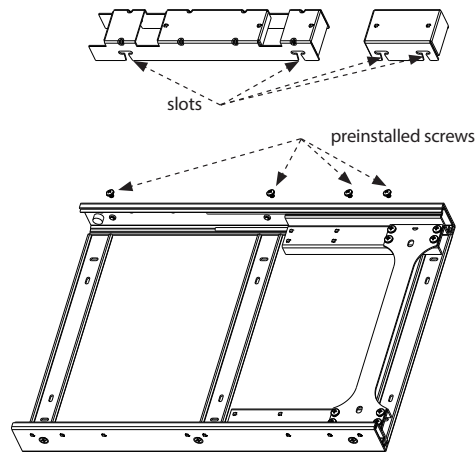


A	Base Assembly	1 pc
B	Basket Assembly	1 pc
C	Primary Basket	2 pcs
D	Secondary Basket	2 pcs
E	Primary Liner	2 pcs
F	Secondary Liner	2 pcs
G	Roller Guide Bracket	1 pc
H	Installation Hinge Spacer	1 pc
J	M6 x 8 mm Pan Head Machine Screw	8 pcs
K	#8 Pan Head Wood Screw	8 pcs

Installation Instructions for the SWS-BC Series

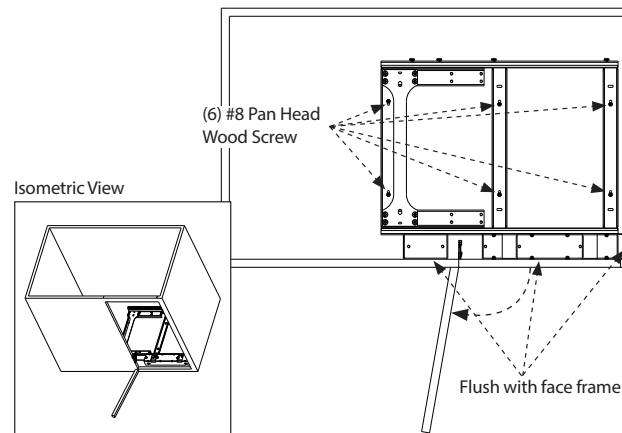
(Ships left-handed, Instructions for Field Reconfiguration for Right-handed)

STEP 1 - Install Guide and Spacer



Loosen the preinstalled screws on the Base Assembly. Align the slots on the Roller Guide Bracket and Hinge Spacer with the screws and slide into place. Tighten screws.

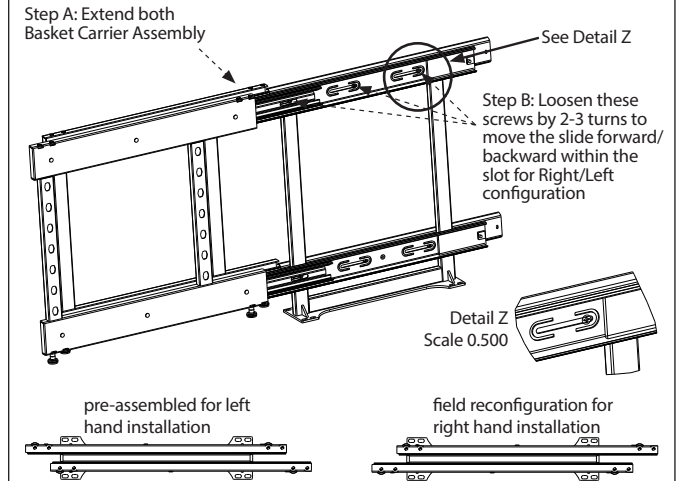
STEP 2 - Install Base Assembly



Position the Roller Guide Bracket and Installation Hinge Spacer against the back of the face frame or 3/4" behind opening on frameless application. Install completed Base Assembly to the cabinet floor with (6) #8 Pan Head Wood screw. Remove all tie wraps securing the assembly.

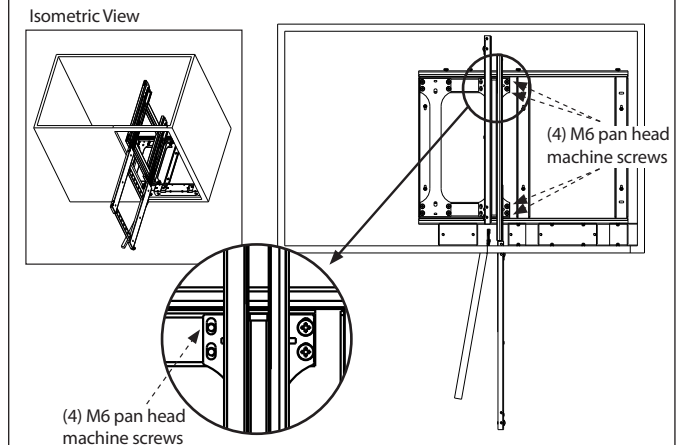
Storage with Style Blind Corner Organizer Right-handed

STEP 3 - Reconfiguration Vertical Support Structural



First extend the Basket Carrier Assembly to gain access and loosen the screws in View Z by 2-3 turns, and slide to Right Hand configuration.

STEP 4 - Secure Basket Assembly-Left



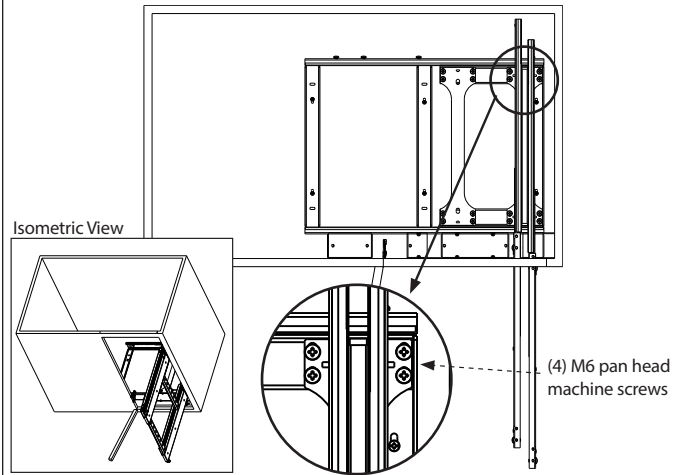
With the right Basket Carrier Assemblies extended outside of the cabinet, tighten with the M6 pan head machine screws. Then, slide the Vertical Support Assembly to the right side and extend the left Basket Carrier out of the cabinet. Tighten with M6 pan head machine screws.

Storage with Style Blind Corner Organizer

Installation Instructions for the SWS-BC Series Right-handed

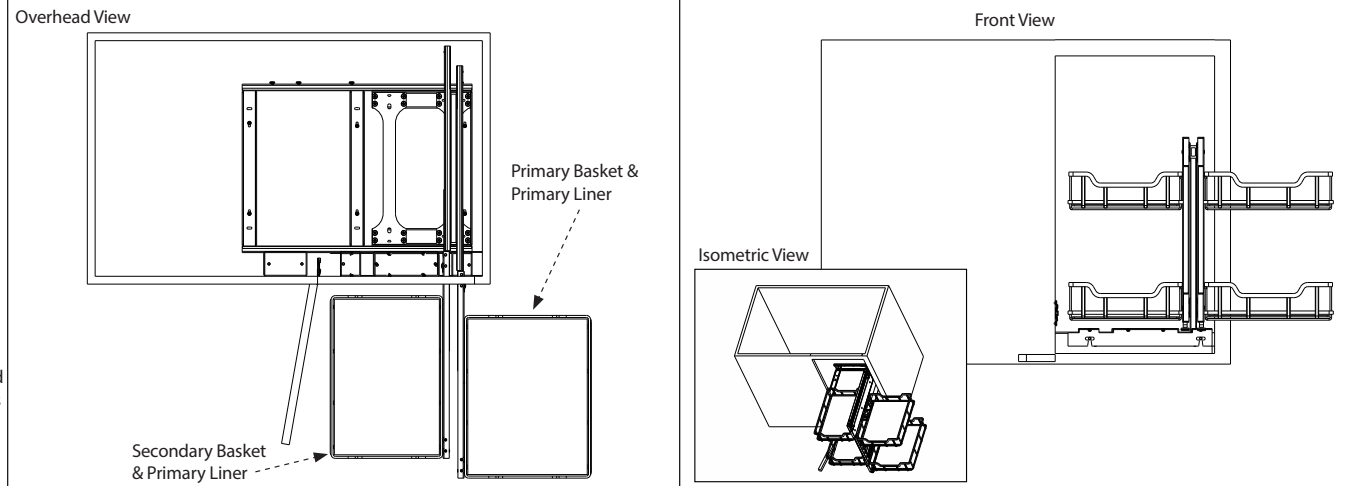
hardware
resources[®]
(Ships left-handed, Instructions for Field
Reconfiguration for Right-handed)

STEP 5 - Secure Basket Assembly-Right



Attach the Primary/Secondary Baskets and Liners.

STEP 6 - Attaching Baskets/Liners



With both sides of the basket assembly in position, attach the baskets to the basket assembly. Install the basket liners to their corresponding baskets.