

**STORM SERIES**

**Integrated Pull Up Kitchen Faucet**

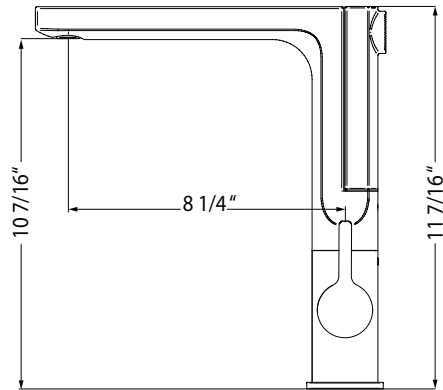
- Model** STPU-3000-PC : Polished Chrome  
 STPU-3000-BN : Brushed Nickel  
 STPU-3000-OB : Oil Rubbed Bronze  
 STPU-3000-MB : Matte Black  
 STPU-3000-PW : Pewter



STPU-3000

**FEATURES**

- All brass body construction
- Innovative patented lightweight pull up dual function spray/stream rear handspray
- Easy clean removable Aerator
- Extendable hose reaches all edges of sink and beyond. 20+ inches
- 90° forward action temperature control handle will not hit backsplash
- Ceramic Disc Cartridge - Lifetime Warranty
- Available in 5 finish options
- Oversized deck mounting locknut for ease of installation
- Nylon hoses for increased durability and flexibility
- QuickConnect system designed for secure and easy installation
- All HamatUSA faucets are ICC certified to meet or exceed US State and Federal plumbing codes and low lead safety standards
- Limited Lifetime Warranty



**AVAILABLE FINISHES**

HAMATUSA has a wide range of finish options, utilizing various technologies: fully automated polishing and brushing plating line, electrostatic powder coating line, and PVD capabilities that allow for a vast range of different finishes such as metallic, brass, pewter, copper and practically any other finish possible.



Polished Chrome



Brushed Nickel



Oil Rubbed Bronze



Matte Black



Pewter

Project/Job name \_\_\_\_\_

Architect/Engineer \_\_\_\_\_

Contractor \_\_\_\_\_

Model \_\_\_\_\_ Q'ty \_\_\_\_\_

Notes \_\_\_\_\_