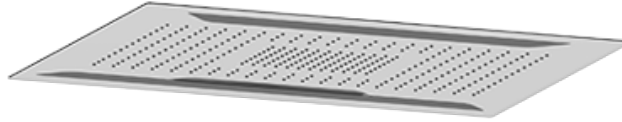


SHOWER
M-Series Thermostatic Shower
System - Shower
AQ2.000SG-LM36E0

GRAFF®

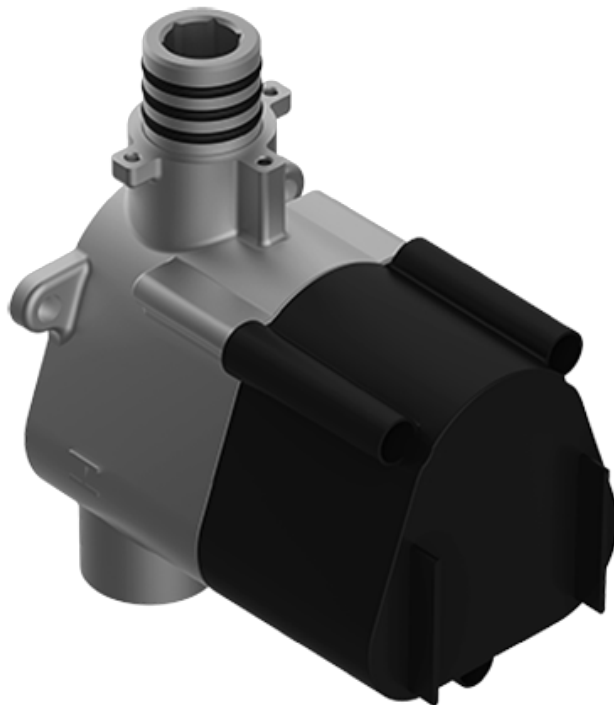


Information

- 3/4" thermostatic valve and trim
- 3/4" 3-way diverter valve and trim
- Rainfall, rain curtain and cascade water functions
- Showerhead features no-clog, easy-clean spray nozzles
- Wall-mounted, battery-powered controller and holder; controls LED chromotherapy lighting
- Optional extension kit
- Showerhead flow rate ≤ 1.8 gpm
- ADA

SHOWER
Thermostatic Rough Valve
G-8006

GRAFF[®]



Information

- 12.9 gpm @ 60 psi
- 3/4" universal inlets
- Built-in service stops
- Stacking outlet feature
- Complete serviceability from front of all units
- Supplied with protective plastic cover
- CalGreen compliant dependent on functions

Finishes



Polished
Chrome

G-8006

M-Series

3/4" Concealed Thermostatic Rough Valve



Product Features

- 12.9 gpm @ 60 psi
- 3/4" universal inlets
- Built-in service stops
- Stacking outlet feature
- Complete serviceability from front of all units
- Supplied with protective plastic cover
- CalGreen compliant dependent on functions

Code Compliance

- CALGreen

Warranty

- Limited lifetime warranty

For complete warranty information go to www.graff-faucets.com/en/info/faqs



The measurements shown are for reference only. Products and specifications shown are subject to change without notice. Revised 3/2016.

www.graff-faucets.com | phone: 800-954-4723

SHOWER
Sade M-Series Thermostatic Valve
Trim with Handle
G-8043-LM36E-T

GRAFF[®]



Information

- Single metal handle
- Decorative trim plate
- Use with G-8006 Thermostatic Rough Valve
- ADA

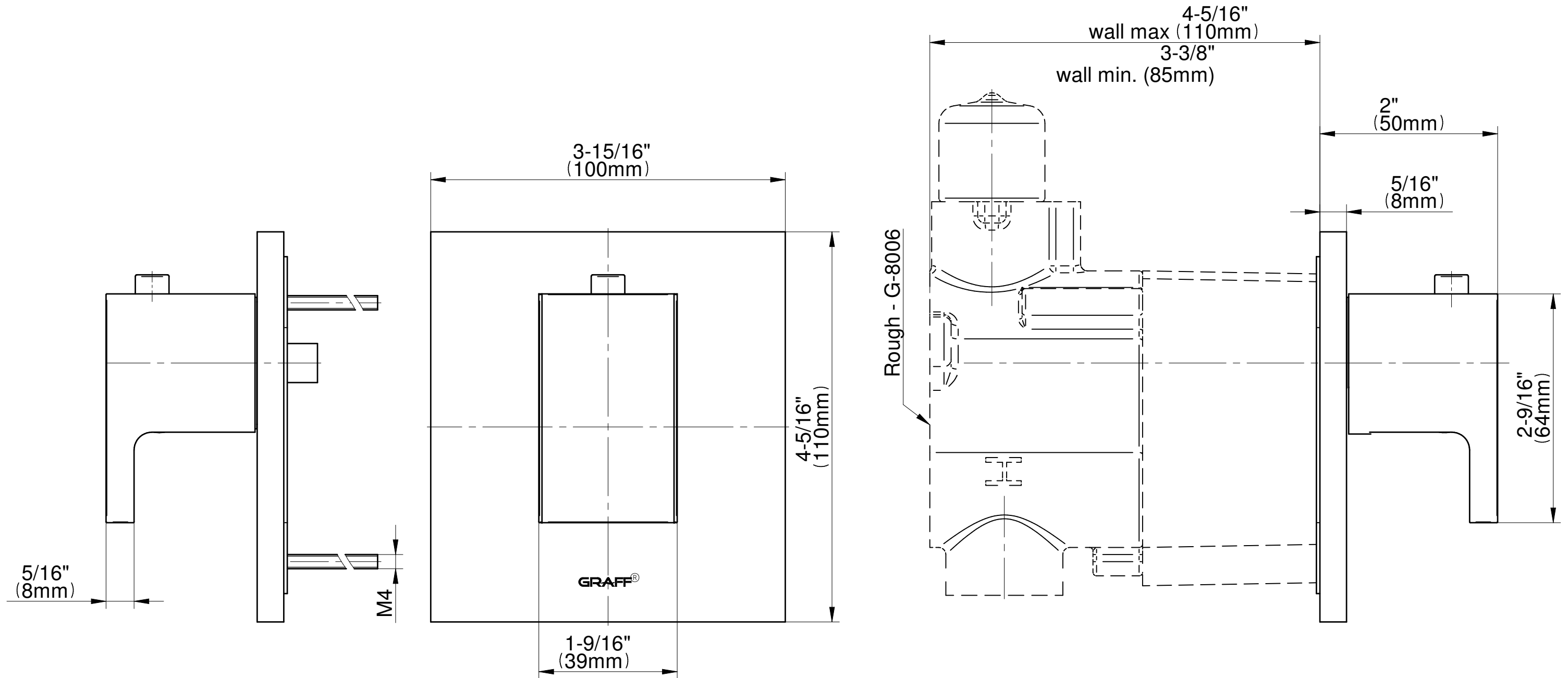
Finishes



Polished
Chrome

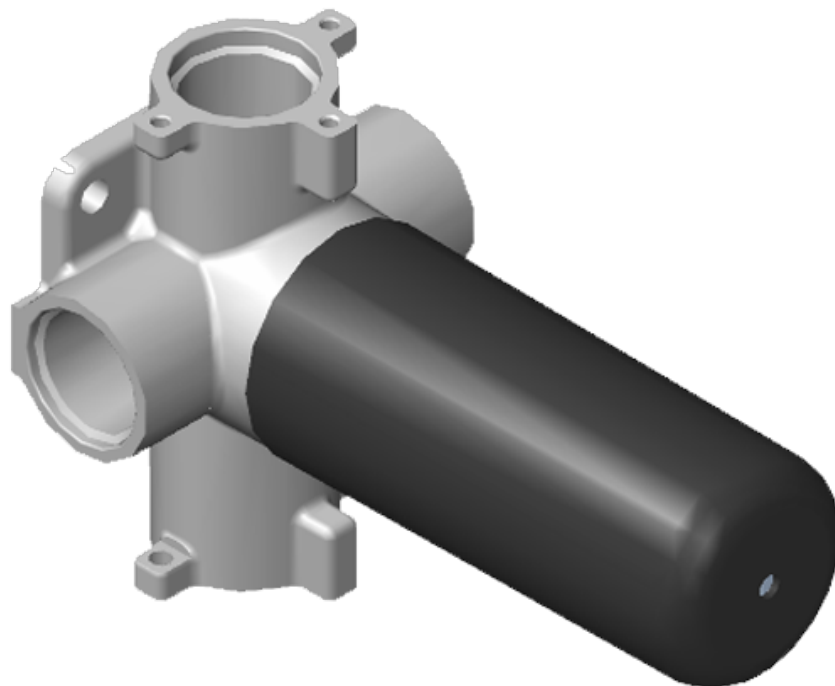
G-8043-LM36E-T

TARGA Series



SHOWER
Three-Way Diverter Control Valve
WITH Off Function (No Pass-
Through)
G-8053

GRAFF®



Information

- ~11.4 gpm @ 60 psi
- 3/4" universal inlets/outlets with female threads
- Operates one function at a time
- Stacking inlet feature
- Supplied with protective plastic cover
- CALGreen compliant depending on functions

Finishes

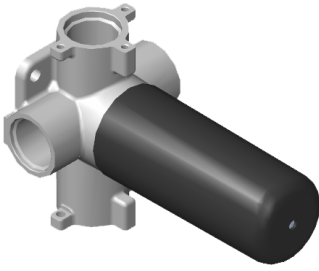


Polished
Chrome

G-8053

M-Series

3-Way Diverter Control Valve WITH Off Function (No Pass-Through)



Product Features

- 3/4" universal inlets/outlets with female threads
- Stacking inlet feature
- Supplied with protective plastic cover
- CalGreen compliant dependent on functions

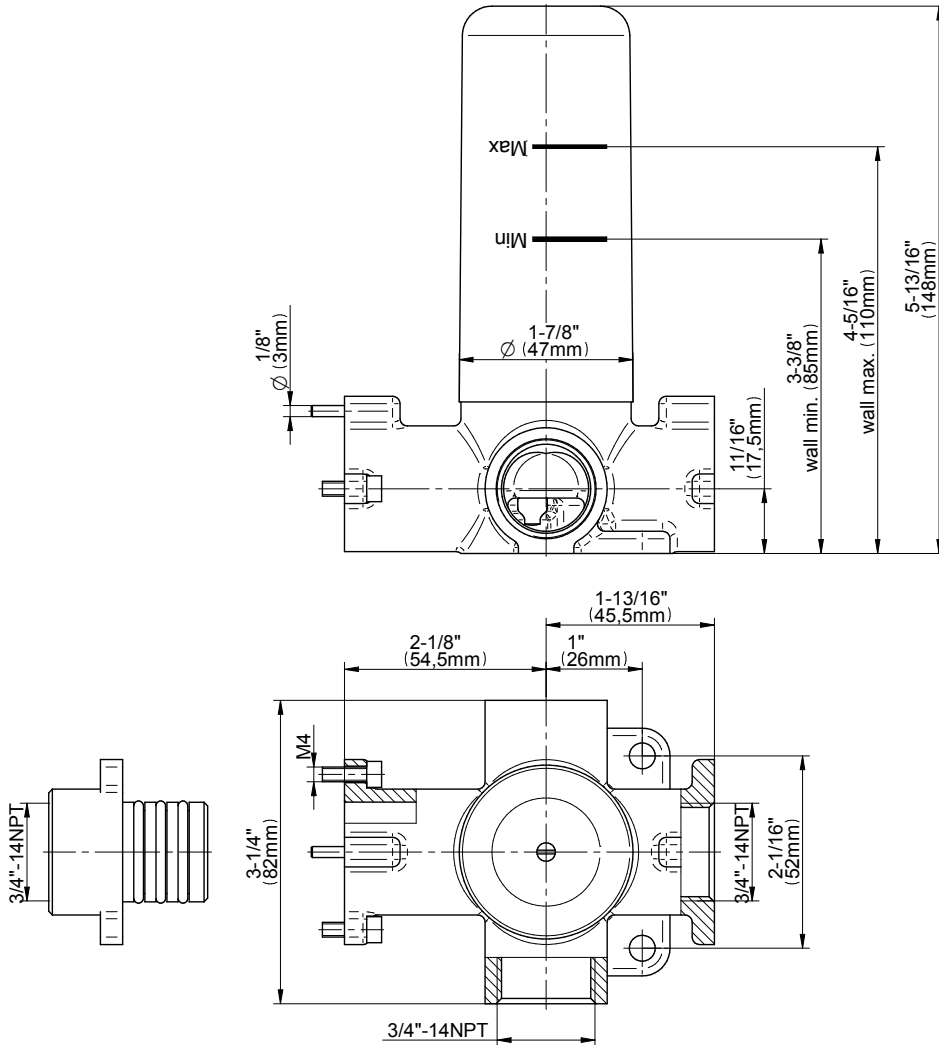
Code Compliance

- CALGreen

Warranty

- Limited lifetime warranty

For complete warranty information go to www.graff-faucets.com/en/info/faqs

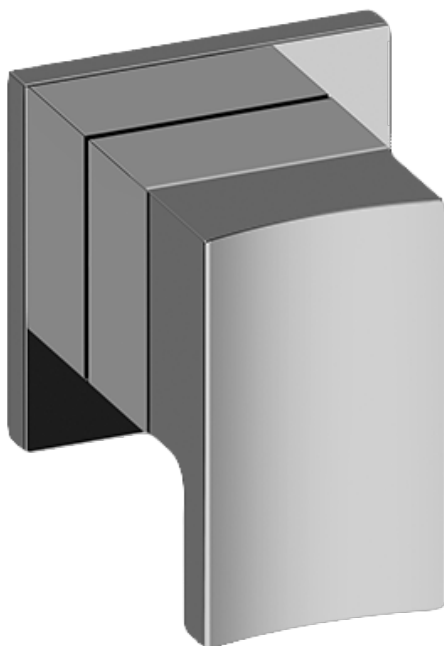


The measurements shown are for reference only. Products and specifications shown are subject to change without notice. Revised 3/2016.

www.graff-faucets.com | phone: 800-954-4723

SHOWER
M-Series 3-Way Diverter Valve
Trim with Handle
G-8072-LM36E1-T

GRAFF[®]



Information

- Single metal handle
- Decorative trim plate
- Use with G-8053 3-Way Diverter Control Valve WITH Off Function
- ADA

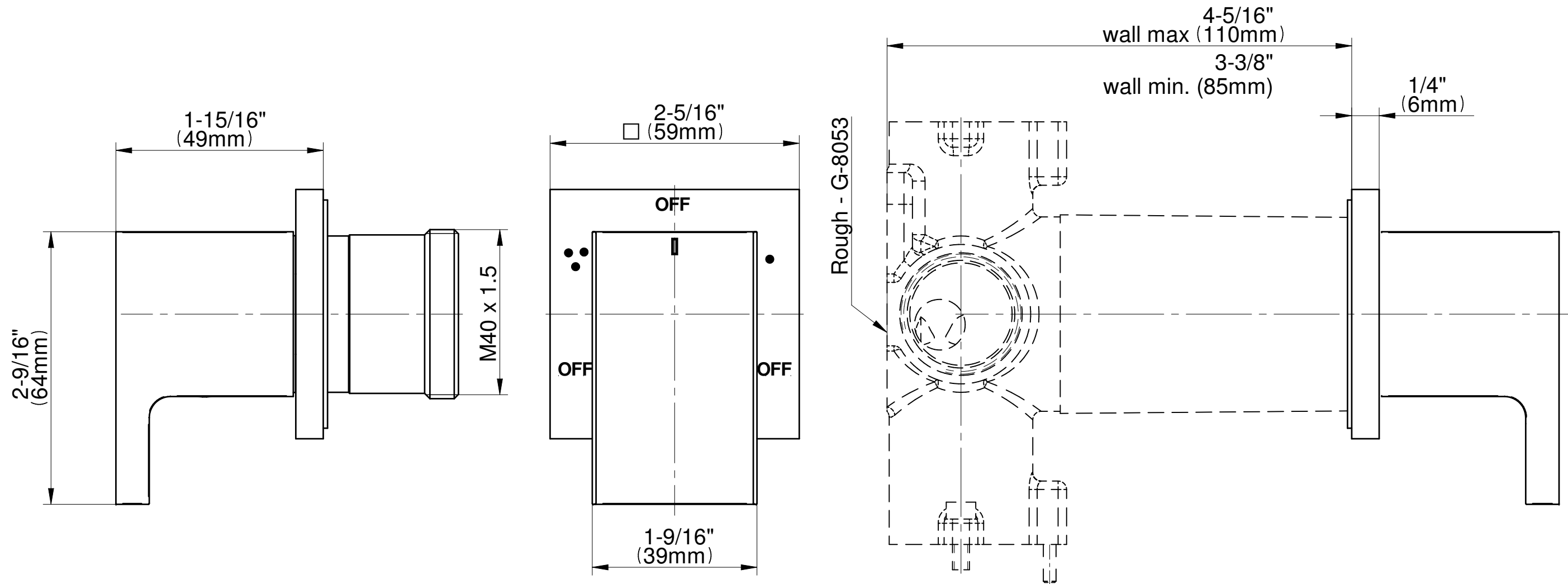
Finishes



Polished
Chrome

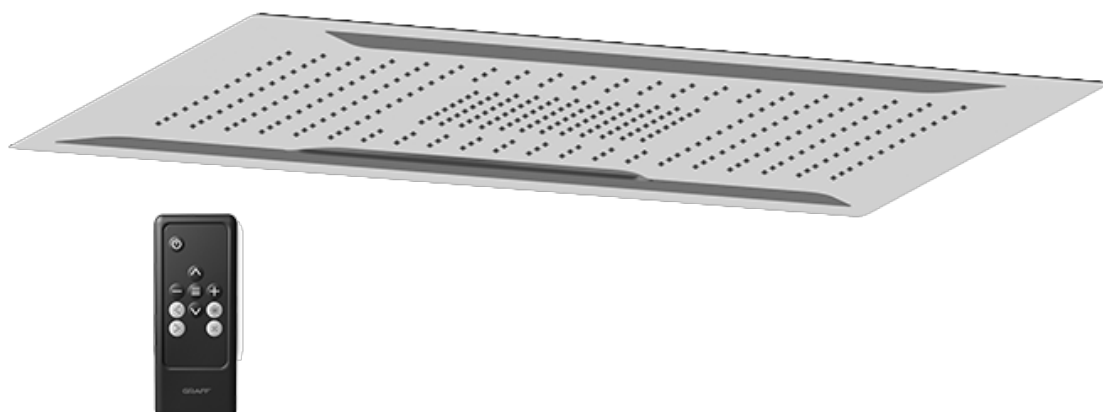
G-8072-LM36E1-T

TARGA Series



SHOWER
Ceiling-Mount Showerhead
System
G-8221

GRAFF[®]



Information

- Rainfall, rain curtain and cascade water functions
- 6-color LED chromotherapy lighting
- Battery powered LED controller with wall-mounted holder
- No-clog, easy-clean spray nozzles
- Showerhead flow rate ≤ 1.8 max gpm
- CALGreen

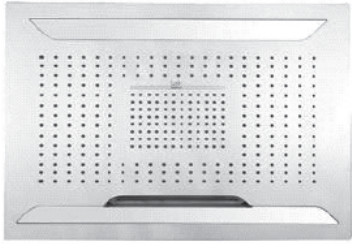
Finishes



Polished
Chrome

G-8221-SP

Aqua-Sense Collection
Ceiling-Mount Showerhead



Product Features

- Rainfall, rain curtain and cascade water functions
- 6-color LED chromotherapy lighting
- Battery powered LED controller with wall-mounted holder
- No-clog, easy-clean spray nozzles
- Showerhead flow rate ≤ 1.8 max gpm

Available Finishes

- Stainless Polished
G-8221-SP

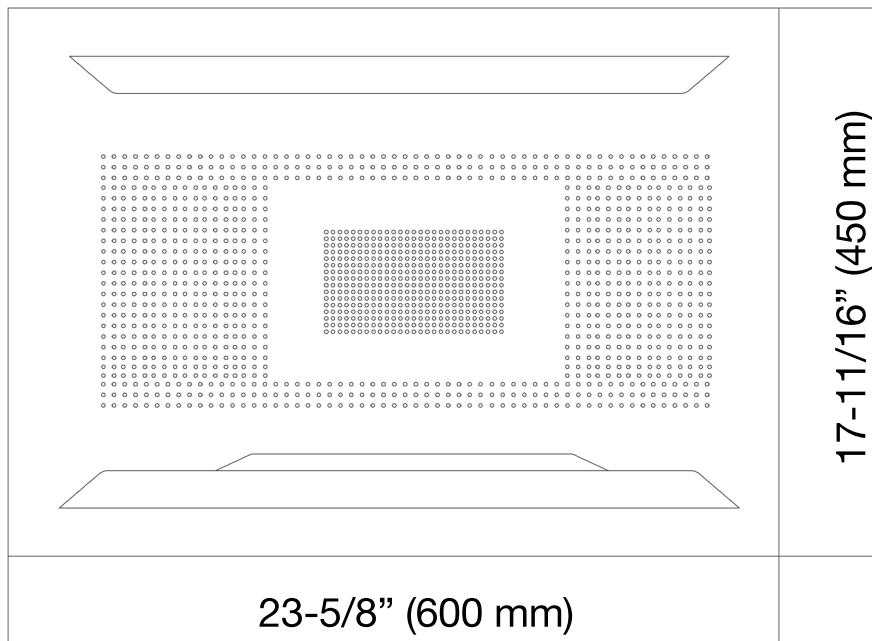
Code Compliance

- CALGreen

Warranty

- Limited lifetime warranty

For complete warranty information go to <https://www.graff-faucets.com/en/info/faqs>



The measurements shown are for reference only. Products and specifications shown are subject to change without notice. Revised 1/2018

www.graff-designs.com | phone: 800-954-4723