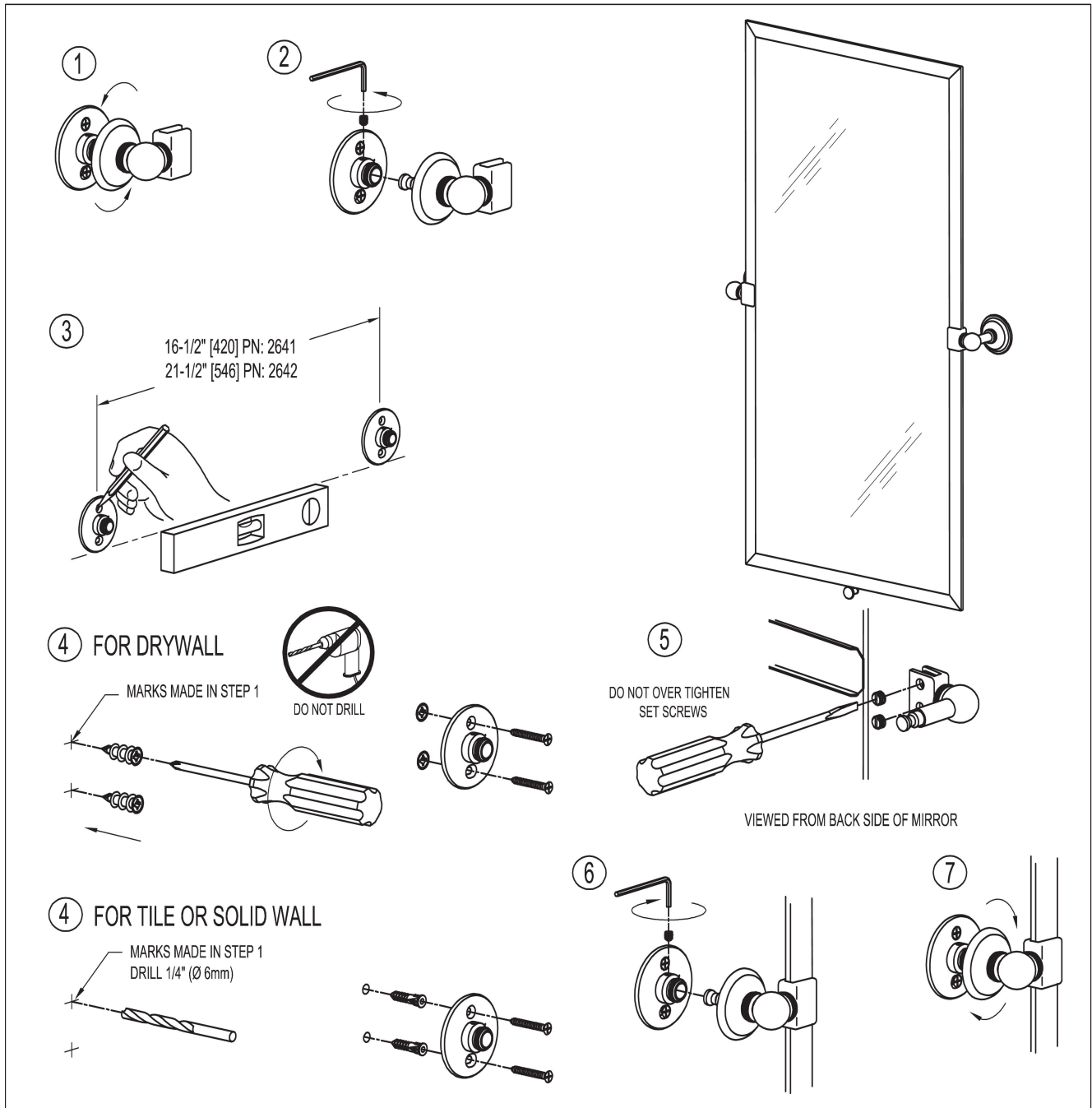


LONDON TERRACE

MIRROR INSTALLATION INSTRUCTIONS

Complement your purchase with other fine accessories also from **MOTIV**.



Tools needed: Pencil, Tape measure, Phillips Screwdriver, Drill and Level.



2001 CARNEGIE AVE
SANTA ANA CA
T. 949-417-5207
www.motiv.us