

# Foster Induction hob

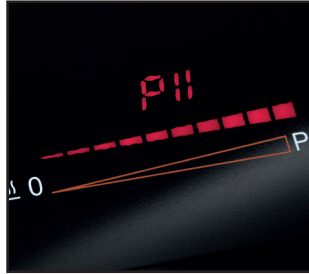
Milano Induction Bridge - **7323 945**

## HIGHLIGHTS



### Extended cooking area

Bridge function allow to associate two zones forming a single extended cooking area for pots of large size, or for more than one cooking simultaneously, with maximum exibility in pot positioning.



### Powerboost

Booster function [P], which provides increased power to the selected plate. In particular, when it is activated, the plate works for ten minutes at a very highpower that allows to heat quickly large quantities of water.



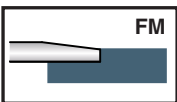
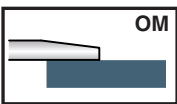
### Slider control

The Slider control allows an extremely quick temperature setting: with a light touch of the finger you may select the desired power level on the TOUCH display.



### T-chef

Allows to set particular temperatures (melt 70°C/158°F, simmer 94°C/201°F) and keep them constant during cooking. Elaborate preparations can be easily obtained, with chef-like results.



### Bevelled edge

Special slanting edge that gives a clean and elegant finish with both the installation methods (flush-mount and overmount).

### Recall

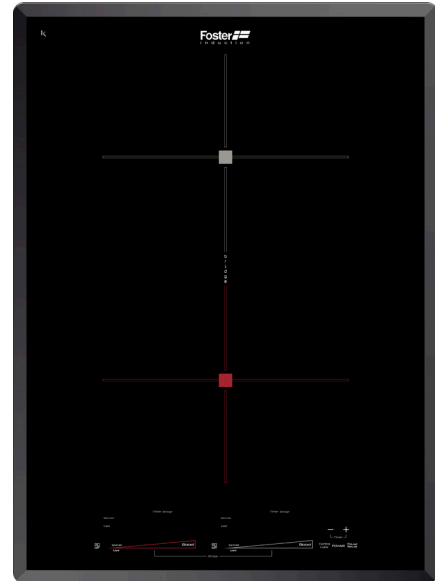
This feature allows you to call back the last settings selected in the previous cooking.

### Pause

Allows you to distract your attention from cooking, interrupting and restoring the settings immediately.

### Full Safety System

Centralised power-off function; Child-proof safety lock; Residual heat warning lights. Safety System that turn off the hob in the absence of the pot; Overflow detector that automatically turns off the plate in case of liquid overflow; Automatic deactivation to prevent accidents caused by forgetfulness.

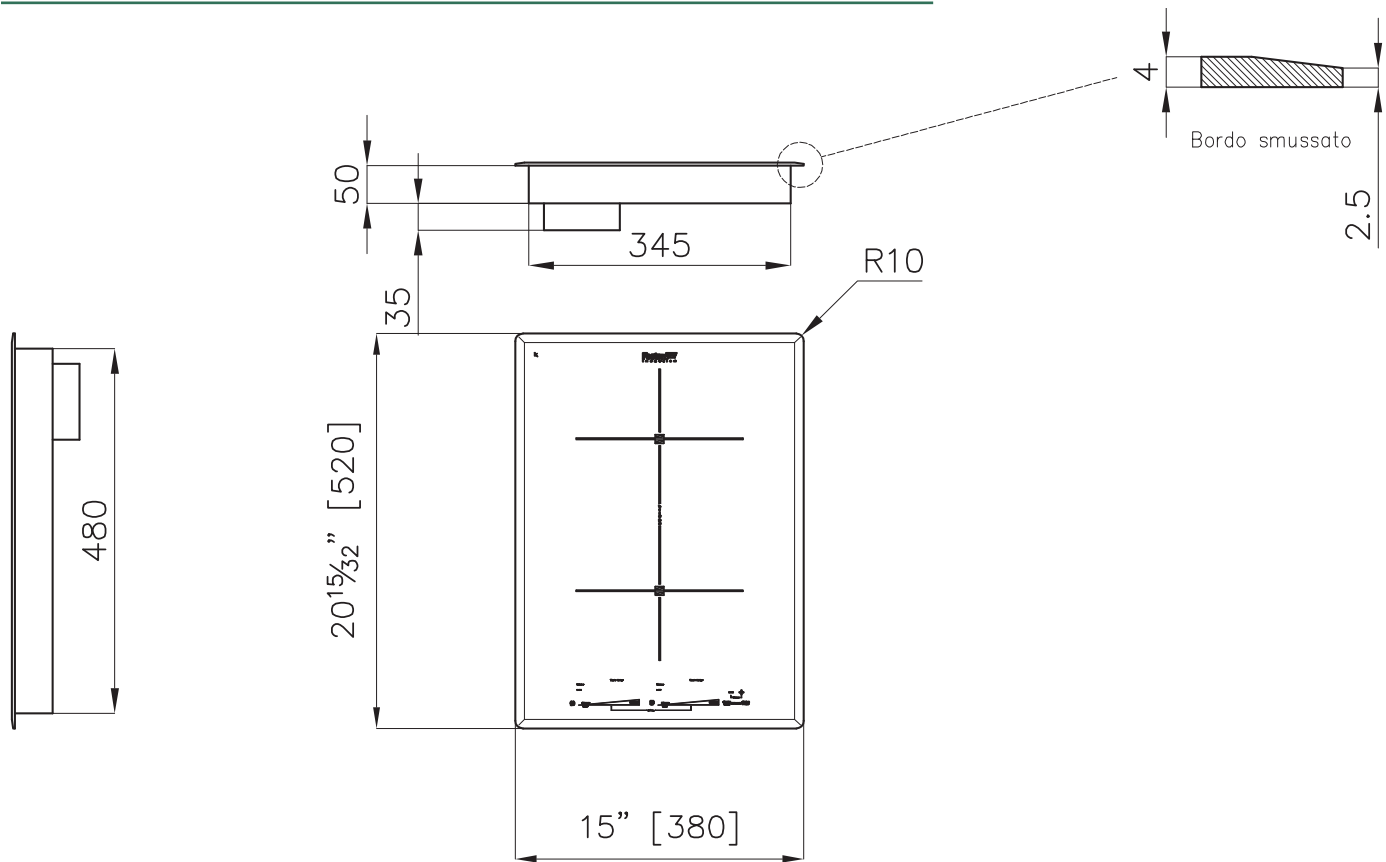


Series	S4000 bridge Induction cooker hob
Dimensions	15" x 20 15/32"
Maintop	Black ceramic glass
Edge	bevelled edge
Installation	overmount
overmount cut-out	14 11/64" x 19 19/64"
Power settings	9 settings plus powerboost
Commands	4 slider commands
Special functions	Bridge function T-chef function Pause and Recall independent timer
Security	security lock residual heat light overflow detection
Power	
2 zones size 7x8"	2.100 W (3.700 Booster)
<b>Technical requirments</b>	
Electrical supply	208-240 V 50/60Hz

# Foster Induction hob

Milano Induction Bridge - **7323 945**

## DIMENSIONS



## CUT OUT

14 11/64" X 19 19/64"