

# Foster Cooktops

Quadra line cooktop FT - **7217 942**

## HIGHLIGHTS



### Professional grids.

All the Foster cooker hobs are equipped with cast-iron grids, a perfect material due to its many properties: high thermal capacity that improves the cooking efficiency; weight that improves safety; sturdiness; easiness to clean.



### Metal Knobs.

Exclusive and original, the Foster metal knobs are an example of the strength and quality of the materials used. A distinctive feature shared by all the Foster elements in this collection to, form an elegant uniformity in the kitchen.



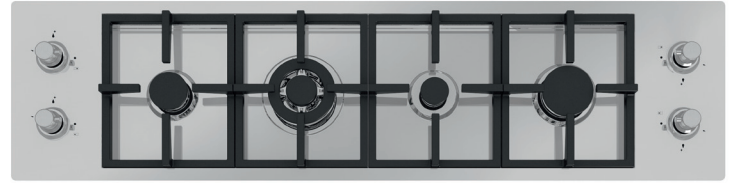
### Safe Cooking.

All Foster cooker hobs are equipped with safety valves. These shut off the gas supply very quickly if the flame accidentally goes out. The utmost freedom of movement it is guaranteed by the electronic under knob ignition that allows a one-hand movement.



### Flush/mount installation.

The flush-mount cooker hobs have no vertical edge, and can be sunk into a recess in the worktop's surface (fm), or simply placed on the worktop like a standard built-in product (om).

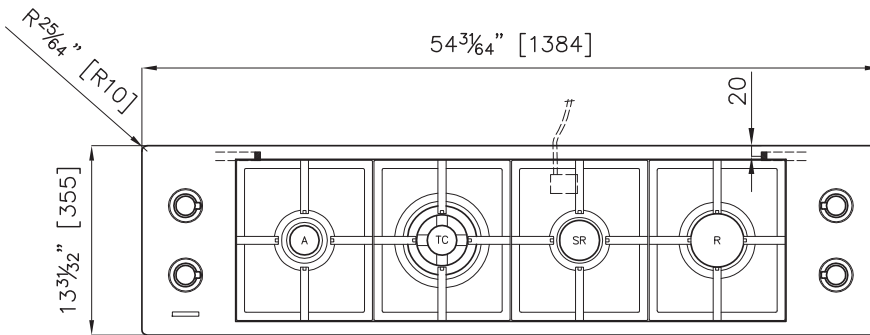
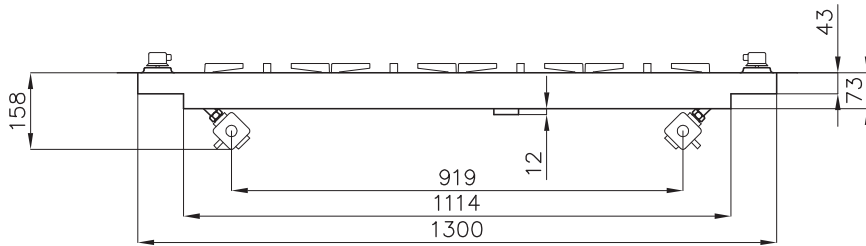


| Series                        | Quadra                                   |
|-------------------------------|--|
| Model                         | Quadra line cooktop FT                   |
| Dimensions                    | 54 1/2" x 14"                            |
| Maintop                       | AISI 304 Stainless Steel                 |
| finish                        | Satin finish                             |
| Kind of Edge                  | 1 mm - flush edge                        |
| Installation                  | Flush-mount or overmount                 |
| flush-mount cut-out           | see technical sheet                      |
| overmount cut-out             | 53 45/64" x 13 3/16"                     |
| Grids                         | Enamelled cast iron                      |
| hob controls                  | Knobs                                    |
| Knobs                         | solid Metal                              |
| Safety                        | Safety valves                            |
| Total power Btu/h             | 26,500 Btu                               |
| burners                       | 4  |
| Triple crown                  | 5,300 - 11,000 Btu/h                     |
| rapid                         | 3,700 - 7,600 Btu/h                      |
| semirapid                     | 1,500 - 5,100 Btu/h                      |
| auxiliary                     | 900 - 2,800 Btu/h                        |
| Simmer ring                   | 1  |
| Simmer Rate                   | 900 Btu/h                                |
| <b>Technical requirements</b> |  |
| Electrical supply             | 120V 60Hz                                |
| Gas std setting               | Natural Gas                              |
| LP Gas conversion             | kit for all burners included             |
| <b>Certifications</b>         | <b>CSA certified for US &amp; Canada</b> |

# Foster Cooktops

Quadra line cooktop FT - **7217 942**

## DIMENSIONS



## CUT OUT

