

Foster Cooktops

Milano Induction Rangetop - 48" x 27" - **3170 900**

HIGHLIGHTS



Extended cooking area

Bridge function allow to associate two zones, forming a single extended cooking zone for pots of large size, or for more than one cooking simultaneously, with maximum flexibility in pot positioning.



Slider control

The Slider control allows for extremely quick temperature setting: with a light touch of the finger you may select the desired power level on the TOUCH display.



T-chef

Allows to set particular temperatures (melt 70°C/158°F, simmer 94°C/201°F) and keep them constant during cooking. Elaborate preparations can be easily obtained with chef-like results.

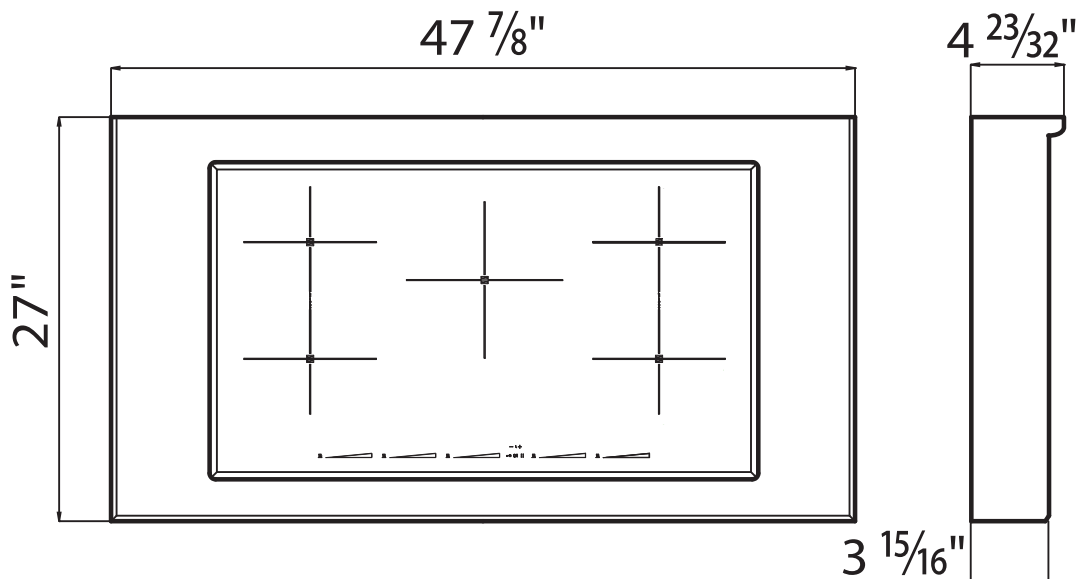


Model	Milano Induction Rangetop
Dimensions	47 7/8" x 27"
Maintop	AISI 304 Stainless steel
Finish	Satin Finish
Induction cooker hob:	
Settings	9 plus Powerboost
Commands	5 slider commands
Special functions:	Bridge
	T-Chef
	Pause and Recall
	Independent timer
	Security lock
	Residual heat light
	Overflow detection
Power	
4 zones size 7x8"	1.900-2.200 W (3.400-3.900 Booster)
1 zone size 7x10"	2.400-2.800 W (5.000-5.800 Booster)
Electrical supply	208-240V - 50/60 Hz

Foster Cooktops

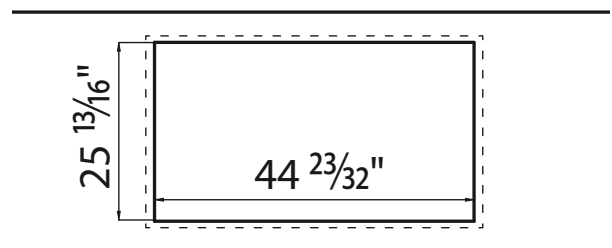
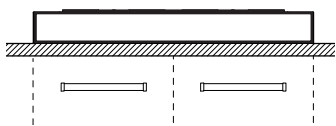
Milano Induction Rangetop - 48" x 27" - **3170 900**

DIMENSIONS



CUT-OUT

Cut-out for top-mount installation



Scheme for installation on the cabinet

