

Foster Cooktops

Milano Rangetop 6F - 48" x 27" - **3166 900**

HIGHLIGHTS



Performance and practicality.
The weighty enameled cast iron grid has extraordinary dimensions, with a working surface up to 50% bigger compared to a normal domestic cooker hob.



Burners.
The state-of-art European technology: high efficiency, power and precise control. The AE dual burner allows ultra-high and ultra-low temperatures thanks to two independent crowns of fire.



Metal Knobs.
Exclusive and original the Foster metal knobs are an example of the strength and quality of the materials used. A distinctive feature shared by all the Foster elements in this collection, to form an elegant uniformity in the kitchen.



Safe Cooking.
All Foster cooker hobs are equipped with safety valves. These shut off the gas supply very quickly if the flame accidentally goes out. The utmost freedom of movement it is guaranteed by the electronic under knob ignition that allows a one-hand movement.

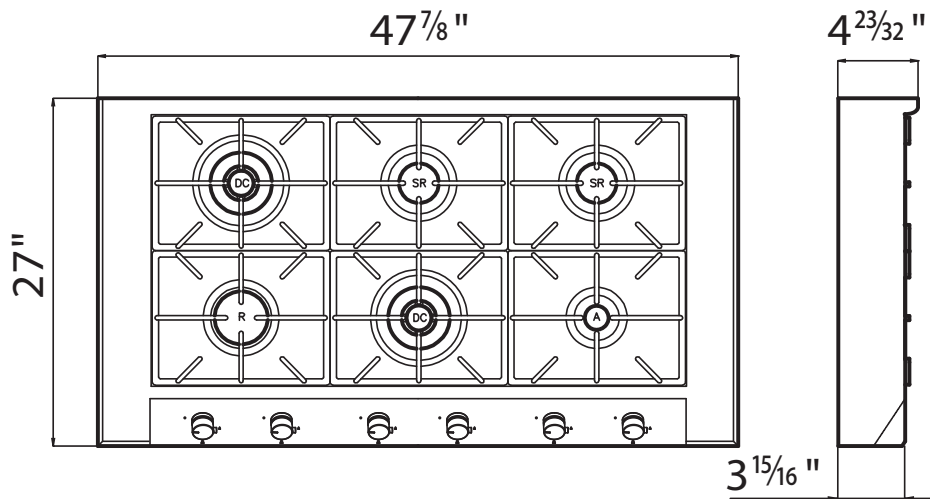


Model	Milano Rangetop 6F - 48" x 26"
Dimensions	47 7/8" x 27"
Maintop	AISI 304 Stainless Steel
Finish	Satin Finish
Grids	Enameled cast iron
Hob controls	Knobs
Knobs	solid Metal
Safety	Safety valves
Total power	64,950 Btu/h
Burners	6
Dual	900-15,500 Btu/h
rapid	2,300-10,750 Btu/h
semirapid	1,300-9,100 Btu/h
auxiliary	900-5,000 Btu/h
Simmer ring	3
Simmer Rate	900 Btu/h
Technical requirements	
Electrical supply	120V 60Hz
Gas std setting	Natural Gas
LP Gas conversion	kit for all burners included
Optional accessories	(2x) Cast iron wok support
Certifications	CSA certified for US & Canada

Foster Cooktops

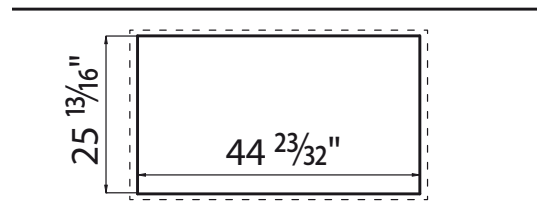
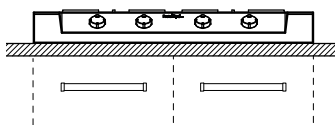
Milano Rangetop 6F - 48" x 27" - **3166 900**

DIMENSIONS



CUT-OUT

Cut-out for top-mount installation



Scheme for installation on the cabinet

