

# Foster Hoods

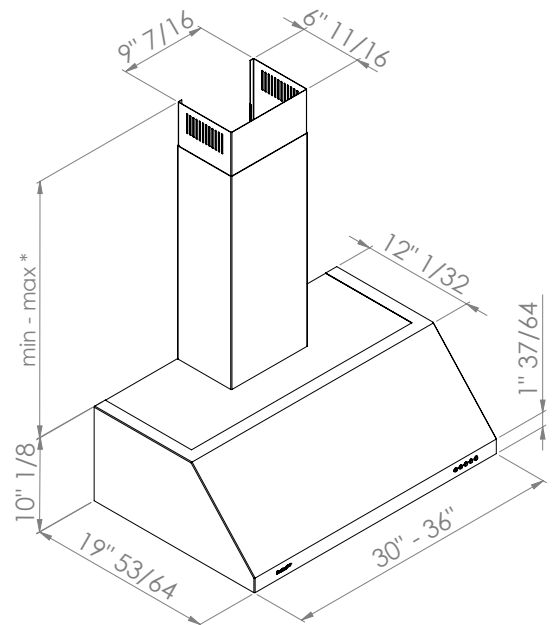
Cuneo Wall 30" - **2462 900**

Model	Cuneo Wall 30"
Hood Type	Wall-mounted suction Hood
Hood finishing	Satin Finish stainless steel
Dimensions	30" x 19" 53/64
control type	button panel
Speed	4 speed
Grease filters	filter in anodized aluminium (5+1 layers)
Charcoal filters	optional
Lighting	2 x 20 W Halogen Lamps
Delay off timer	yes
Light switch	yes
Air Outlet	ø 5 29/32"
Air flow rate	600 CFM
Pressure	480 Pa
Noise Level	59 dBA
electrical requirments	120VAC - 60Hz

## accessories

Telescopic Chimney	2462 901 [22" - 44"]
Telescopic Chimney	2462 902 [36" - 72"]
charcoal filters	N°1 filter cod. 9700 709

**Certifications** **CSA certified for US & Canada**



\* TELESCOPIC CHIMNEY  
OPTIONAL

COD.	MAX	MIN
2462 901	44" 7/8	22" 7/8
2462 902	72" 1/2	36" 1/4