

# Limited Lifetime Faucet Warranty

fluid™ warrants its faucets to be free from defects in material and workmanship for as long as the original consumer purchaser owns his or her home.\* This warranty applies only in original installation location. If a defect is found in normal residential use, fluid™ will, at its election, repair, provide a replacement part or product, or make an appropriate adjustment. fluid™ reserves the right to examine the product in question and its installation prior to replacement. This warranty is limited to replacement of defective parts only. Damage to a product caused by accident, improper installation, misuse, or abuse is not covered by this warranty. Improper care and cleaning will void the warranty.\*\* Replacement parts can be obtained from your local dealer or directly from the fluid™ warehouse. Dated proof of purchase must accompany all warranty claims. This warranty applies only to fluid™ faucets installed in the United States of America, Canada or Mexico (North America).

fluid™ recommends using a certified plumber for faucet installation and repair. Incidental and consequential damages, labor charges, repair or replacement costs are expressly excluded. In no event shall the liability of fluid™ exceed the purchase price of the faucet. Some states and provinces do not allow the exclusion or limitation of incidental or consequential damages, so the above limitation may not apply to you. This warranty gives you specific legal rights which vary from state/province to state/province. If you find any such problem with your product, please immediately contact your nearest fluid™ dealer or sales representative.

# fluid |



## Need Help?

For additional assistance  
Toll Free: 1 800 460 7019  
Fax: 1 604 430 5050  
[www.fluidfaucets.com](http://www.fluidfaucets.com)

## Installation Instructions for Pressure Balancing Valve Set with Volume Control

\* Two year warranty on commercial applications.

\*\* Never use cleaners containing abrasive cleansers, ammonia, bleach, acids, waxes, alcohol, solvents or other products not recommended for surface finishes. This will void the warranty.

This faucet meets or exceeds the following standards:

ASME A112.18.1 / CSA B125.1

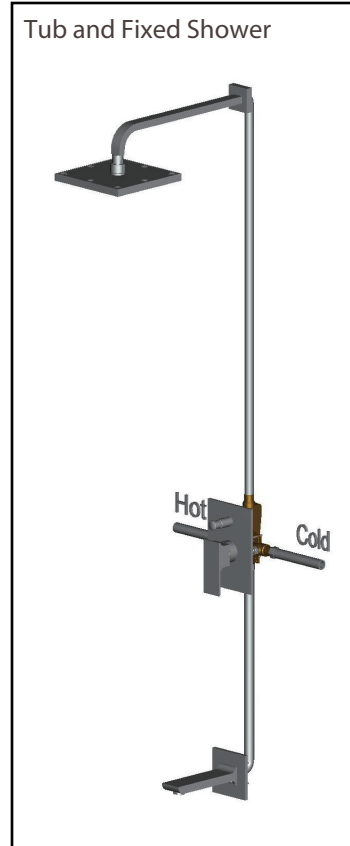
This product has been tested and certified by IAPMO.



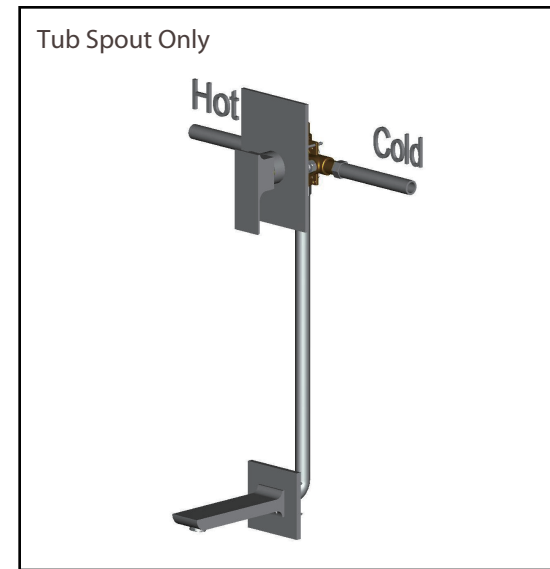
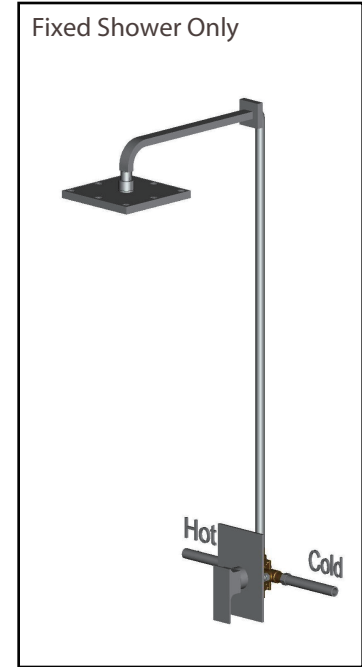
Volume Control Pressure Balancing Valve/2018/V4

Please Keep This Manual For Future Reference






## Recommended Installation Layout for Pressure Balancing Valve with Diverter F1000B

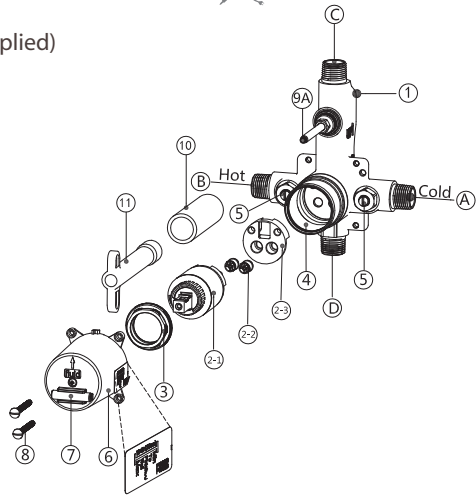


## Recommended Installation Layout for Pressure Balancing Valve without Diverter F1001B



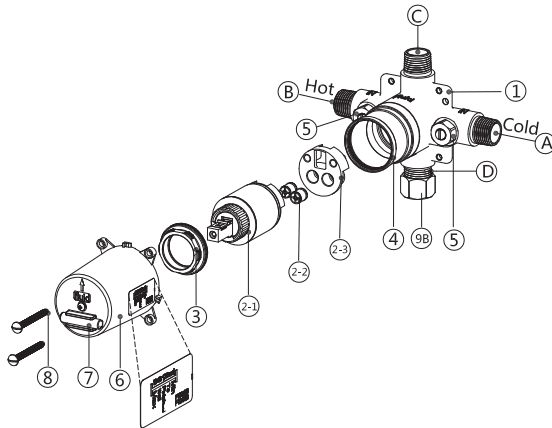
# Tools Required for Installation

-  Teflon Tape
-  Adjustable Wrench
-  Socket Wrench (supplied)
-  Screw Driver
-  Soldering Equipment



## F1000B

Pressure Balancing Valve with Diverter, used for Tub and Shower installation



## F1001B / F1001B-PEX

Pressure Balancing Valve without Diverter, used for Tub Only or Shower Only installation with a supplied hex cap (#9B) or it can be used in tub and shower installation when a tub spout with a diverter is used.

### Adjusting Maximum Temperature

Caution: The valve is preset at the factory test at maximum. To adjust, please follow these instructions: Remove red max temperature adjusting ring from the cartridge(#2-1). Turn the red ring clockwise to adjust the max temperature to the desired setting. Reassemble and test until the desired setting is achieved.

# Valve Installation Instructions

1. Shut off cold and hot water supplies.
2. Make sure to use the enclosed Cutout Template to open the wall properly.
3. This valve must be installed with the cold inlet port(A, marked in blue color) on the right and the hot inlet port(B, marked in red color) on the left. Also ensure that the arrow on the mud guard(#6) and the word "UP" or "fluid" on the valve body (#1) point upwards and use the bubble level(#7) for leveling reference.
4. Install pressure balancing valve body(#1) so that the surface of FINISHED wall is between the MIN and the MAX mark on the mud guard(#6).
5. Connect the valve body(#1) to water supplies using proper fittings (copper tubing or PEX). (A) is the cold inlet port and (B) is the hot inlet port.
- 5.1 For 1/2" Copper Tube Soldering Connections: Solder water supply tube to valve body(#1) NOTE: Prior to soldering, you must unscrew the retaining nut(#3) and remove the cartridge(#2-1), the anti-back flow block(#2-3) and both integral stops(#5). Also remove diverter(#9A) by using the supplied wrench(#11). Avoid soldering excessively at high temperature.
- 5.2 For 1/2" IPS Thread Connections: Apply Teflon tape or other thread sealant onto threaded ends and connect water.

### FOR PRESSURE BALANCING VALVE WITH DIVERTER F1000B:

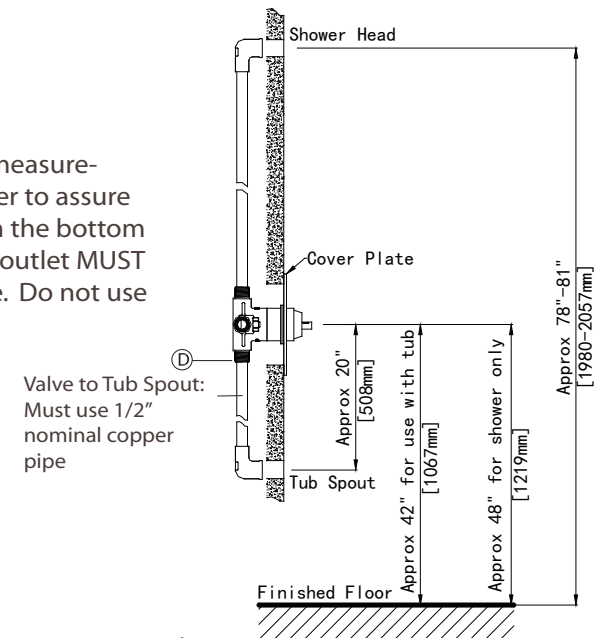
As shown on page 2, F1000B valve is used to divert water between two fixtures, such as a fixed or hand shower and a tub spout. Port D is the priority port. Connect the fixture you wish water to flow to initially to Port D. 1/2" Copper pipe must be used for Port D (do not use PEX). Port C is the diverter port. Connect the diverting fixture to Port C using either 1/2" Copper or PEX. To switch the water from the tub spout to the shower, simply pull the diverter stem(#9A).

### FOR PRESSURE BALANCING VALVE WITHOUT DIVERTER F1001B:

Used for Tub Only or Shower Only installation with a supplied hex cap(#9B) or it can be used in tub and shower installation when a tub spout with an integral diverter is used.

NOTE: To protect the valve, keep mud guard (#6) on during installation. Remove only when ready to install trim parts.

The drawing shows typical measurements from the floor. In order to assure proper function, piping from the bottom port D of valve to tub spout outlet MUST be 1/2" nominal copper pipe. Do not use PEX FOR THIS CONNECTION.



Valve to Tub Spout:  
Must use 1/2"  
nominal copper  
pipe

# Tools Required for Installation

 Allen Wrench

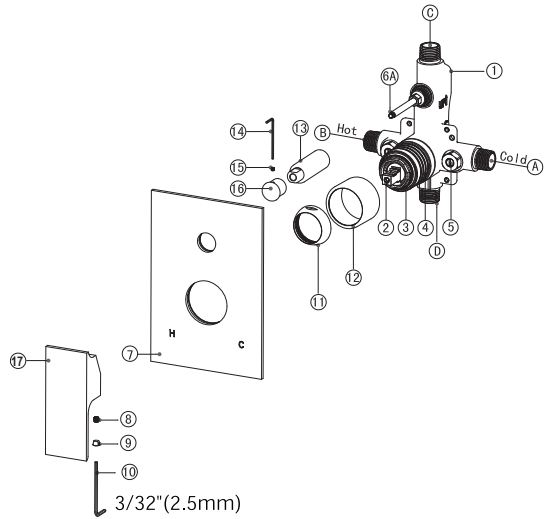
 Screw Driver

 Teflon Tape

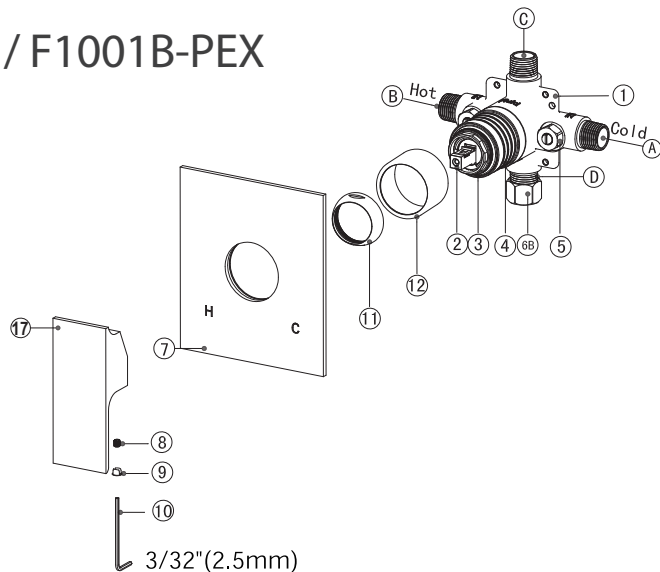
 Adjustable Wrench

## 1. Valve Trim, Cover Plate and Handle Installation

### F1000B



### F1001B / F1001B-PEX



# Trim Installation Instructions

Use the Recommended Installation Layout on pages 1 and 2 to plan your trim installation. If the valve has been installed too deeply into the wall and the trim cover plate can not be installed on the finished wall, please contact the store where product was purchased or a fluid sales representative for a valve extension kit.

## For F1000B Valve Trim, Cover Plate and Handle Installation

1. Slide sleeve tube (#12) over cartridge housing(#4), then screw cap(#11) onto retaining nut(#3) and tighten it with an adjustable wrench, being careful not to scratch the finish.
2. Slide diverter housing(#13) onto diverter stem (#6A) and secure it onto valve body(#1) with an adjustable wrench, being careful not to scratch the finish.
3. Screw diverter knob(#16) onto diverter stem(#6A) and use the supplied 1.5mm Allen wrench(#14) to secure it with a set screw(#15).
4. Apply a small bead of silicone at four corners of the backside of the square cover plate(#7) OR peel white tape off seal gasket at the backside of round or soft corner square cover plate.
5. Slide cover plate(#7) over diverter housing(#13) and sleeve tube(#12) and gently press cover plate(#7) against the finished wall.
6. Install handle(#17) onto cartridge stem(#2). Tighten set screw(#8) with the supplied 3/32\"(2.5mm) Allen wrench(#10). Push in plug(#9).

## For F1001B / F1001B-PEX Valve Trim, Cover Plate and Handle Installation

1. Slide sleeve tube(#12) over cartridge housing(#4), then screw cap(#11) onto retaining nut(#3) and tighten it with an adjustable wrench, being careful not to scratch the finish.
2. Apply a small bead of silicone at four corners of the backside of the square cover plate(#7) OR peel white tape off seal gasket at the backside of round or soft corner square cover plate.
3. Slide cover plate(#7) over sleeve tube(#12) and gently press cover plate(#7) against the finished wall.
4. Install handle(#17) onto cartridge stem(#2). Tighten set screw(#8) with the supplied 3/32\"(2.5mm) Allen wrench(#10). Push in plug(#9).

# Tools Required for Installation



Allen Wrench



Screw Driver



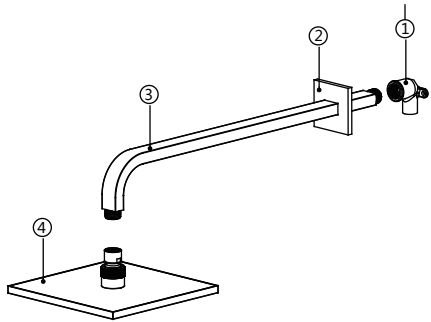
Teflon Tape



Adjustable Wrench

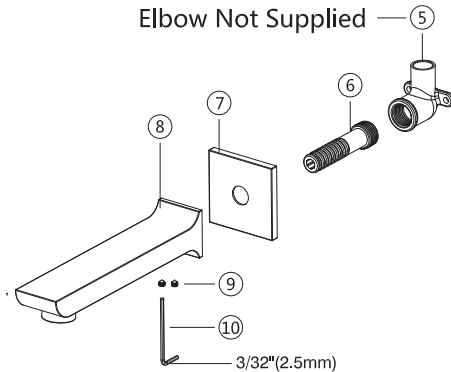
## Fixed Showerhead

Elbow Not Supplied



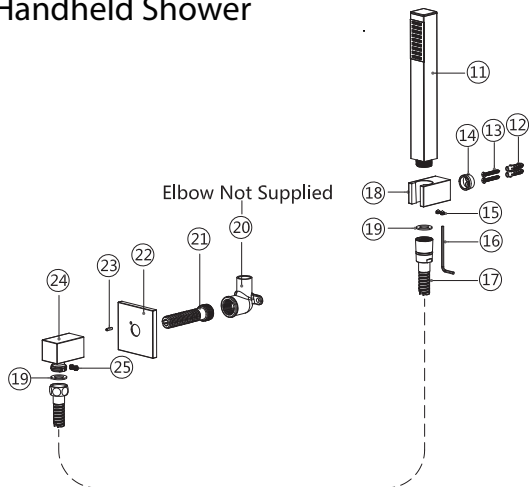
## Tub Spout

Elbow Not Supplied



## Handheld Shower

Elbow Not Supplied



# Trim Installation Instructions

## For Fixed Showerhead Installation:

1. Make sure 1/2" threaded elbow(#1) is installed securely inside the wall and is connected to the correct outlet of the rough-in valve.
2. Slide escutcheon(#2) over shower arm(#3).
3. Apply Teflon tape onto both threads of the shower arm(#3) and screw shower arm(#3) into 1/2" threaded elbow(#1).
4. Thread shower head(#4) onto shower arm(#3).

## For Tub Spout Installation:

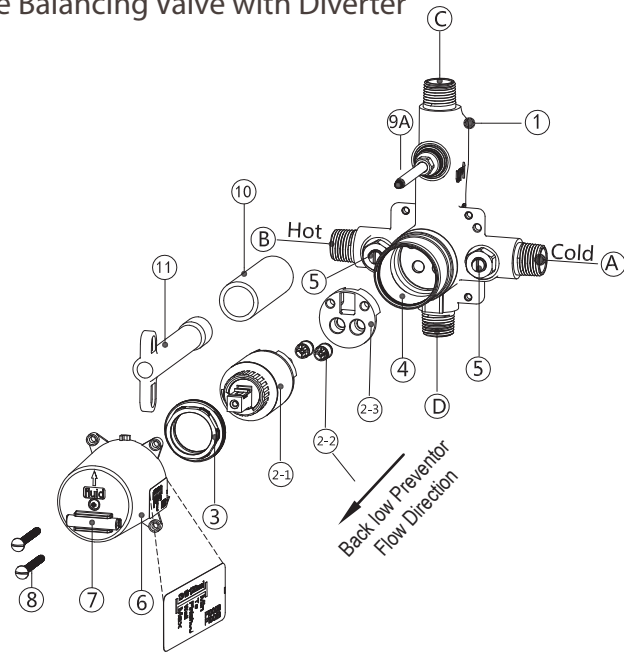
1. Make sure 1/2" threaded elbow(#5) is installed securely inside the wall and is connected to the correct outlet of the rough-in valve.
  2. Thread "Speed Connector"(#6) into threaded elbow(#5).
  3. Slide back plate(#7) (if included - some models do not include back plate), and then tub spout over "Speed Connector"(#6).
- NOTE: For "Speed connector"(#6) installation details, refer to the enclosed General Instruction of "Speed Connector".
4. Secure tub spout(#8) with two set screws (#9) by using a 3/32"(2.5mm) Allen wrench (#10).

## For Handheld Shower Installation:

1. Make sure 1/2" threaded elbow (#20) is installed securely inside the wall and is connected to the correct outlet of the rough-in valve.
2. Screw "Speed Connector" (#21) into threaded elbow(#20).
3. Slide escutcheon(#22) over "Speed Connector" (#21).
4. Install elbow (#24) into "Speed Connector" (#21).
5. Use the supplied 3/32"(2.5mm) Allen wrench (#16) to secure set screw(#25).
6. Determine the desired location of handheld shower holder (#18).
7. Mark position of mounting bracket (#14) on the finished wall.
8. Drill holes per marks and insert plastic anchors (#12) into the finished wall.
9. Secure mounting bracket(#14) against the wall by fastening with screws(#13).
10. Secure holder(#18) with set screws(#15) using the supplied 3/32"(2.5mm) Allen wrench (#16).
11. Insert rubber washers(#19) into the end thread fittings of flex hose(#17).
12. Thread flex hose(#17) onto elbow (#24) and handheld shower(#11).

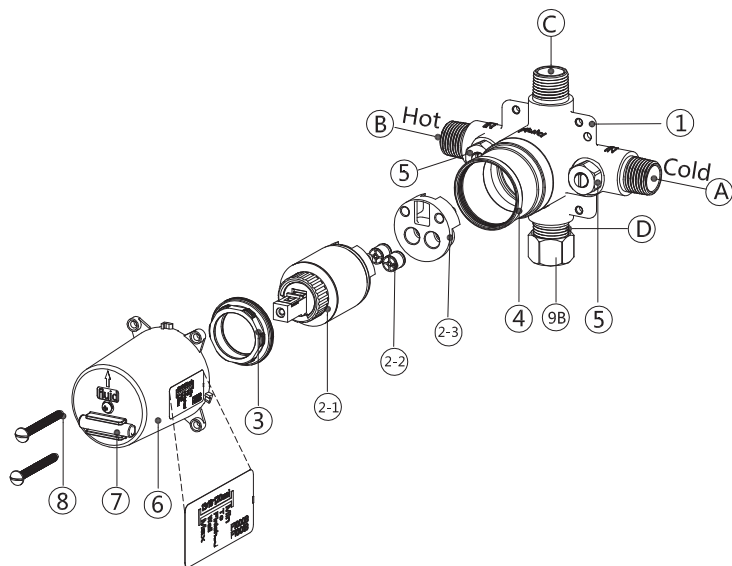
## F1000B

### Pressure Balancing Valve with Diverter



## F1001B / F1001B-PEX

### Pressure Balancing Valve without Diverter



## Care & Maintenance Instructions

SSI products are designed and engineered under strict quality standards. Regular and proper care of our products will ensure years of trouble-free service.

### For Integral Stop:

To shut off cold and/or hot water going to the valve body, use a medium size flat head screw driver to turn the metal stem of integral stop(#5) clockwise to close. To achieve the maximum flow rate, the integral stop should be fully opened when the metal stem is fully brought out of the hex nut by using a medium size flat head screw driver.

### To clean your fluid Cartridge and Back Flow Preventor:

Remove the retaining nut(#3) with an adjustable wrench, being careful not to scratch the finish. Pull out the cartridge(#2-1) and the back flow preventor block(#2-3) together by hand. Use a small flat head screw driver to separate the block(#2-3) from the cartridge(#2-1). Use a small round tool to push the back flow preventors(#2-2) from the block. Rinse cartridge(#2-1) and back flow preventors(#2-2) under running water to ensure any trapped debris has been removed. To remove mineral deposits like Calcium, immerse cartridge(#2-1) in distilled vinegar for 30 minutes, then rinse well with running water. Shake cartridge(#2-1) by hand and make sure that the stainless steel pressure balancing spool at the bottom of cartridge body is freely moving inside its casing. You should hear a "clicking" sound if the spool is moving properly. Pay attention to the flow direction as shown in diagram and insert back flow preventors (#2-2) into the block(#2-3). Align two stainless steel screws on the bottom surface of cartridge(#2-1) to two holes on the block(#2-3) and push them together tightly. Align two pins on the bottom surface of block(#2-3) to the two top holes on the valve body. Gently push cartridge(#2-1) and block(#2-3) into place and make sure cartridge and block are properly seated in body. If seated, the cartridge(#2-1) will not rotate. Thread retaining nut(#3) onto the body and tighten with an adjustable wrench, being careful again not to scratch the surface.

### For Pull-out Style Diverter:

Use the supplied socket wrench(#11) and place it over the diverter stem and hex nut(#9A). Turn the socket wrench(#11) counter-clockwise to remove the diverter assembly(#9A). Wash the diverter assembly(#9A) with clean running water and ensure that any trapped debris has been removed. Dry and lightly grease all rubber seals (use only NSF approved Silicone grease). Replace the cleaned or new diverter assembly(#9A) with the supplied socket wrench(#11).

### For Surface Finish:

Clean with a damp cloth and warm soapy water. Then simply rinse off and wipe dry with a soft cloth. Do not use abrasive or harsh cleaners as they may result in finish damage.