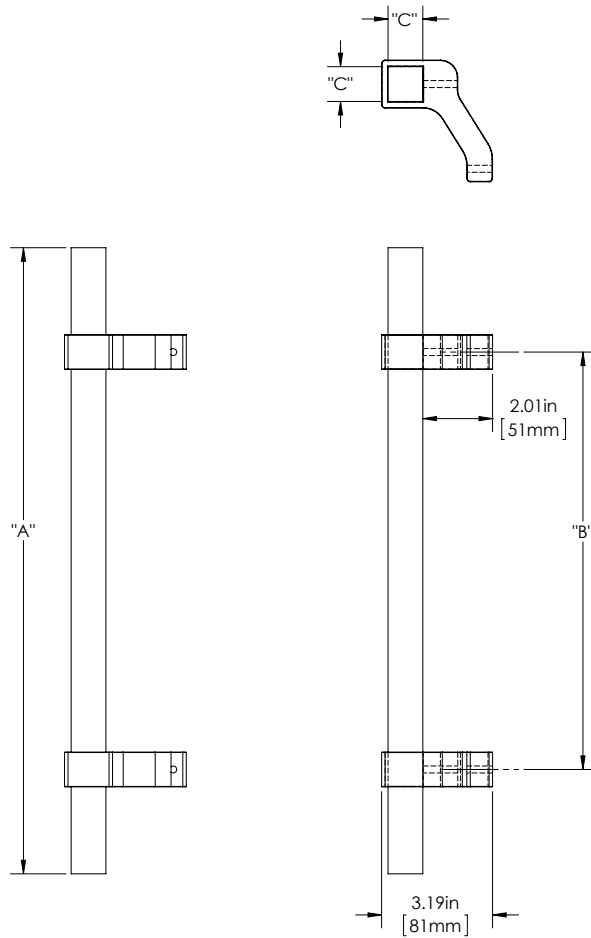




## SPECIFICATIONS



**Product Description:** 1" Solid Square Grip and Wrap Around Offset Square Mounts in Aluminum

Material	Acrylic	Aluminum	Brass	Stainless Steel	Steel
Grip		✓			
Mount(s)		✓			

Overall Length "A"	Center To Center "B"	Thickness "C"
12"(305mm)	8"(203mm)	1"(25mm)
24"(610mm)	18"(457mm)	1"(25mm)
36"(914mm)	24"(610mm)	1"(25mm)

Finishes	Aged Brass	Antique Brass	Polished Brass	Satin Brass	Oil Rubbed Bronze	Polished Chrome	Satin Chrome	Polished Nickel	Satin Nickel	Brushed Stainless	Polished Stainless	Powder Coat	Lithonia
Grip	✓	✓	✓	✓	✓	✓	✓	✓	✓			✓	✓
Mount(s)	✓	✓	✓	✓	✓	✓	✓	✓	✓			✓	✓

Custom sizes & finishes available upon request

Dimensions are approximate and provided for reference purposes only