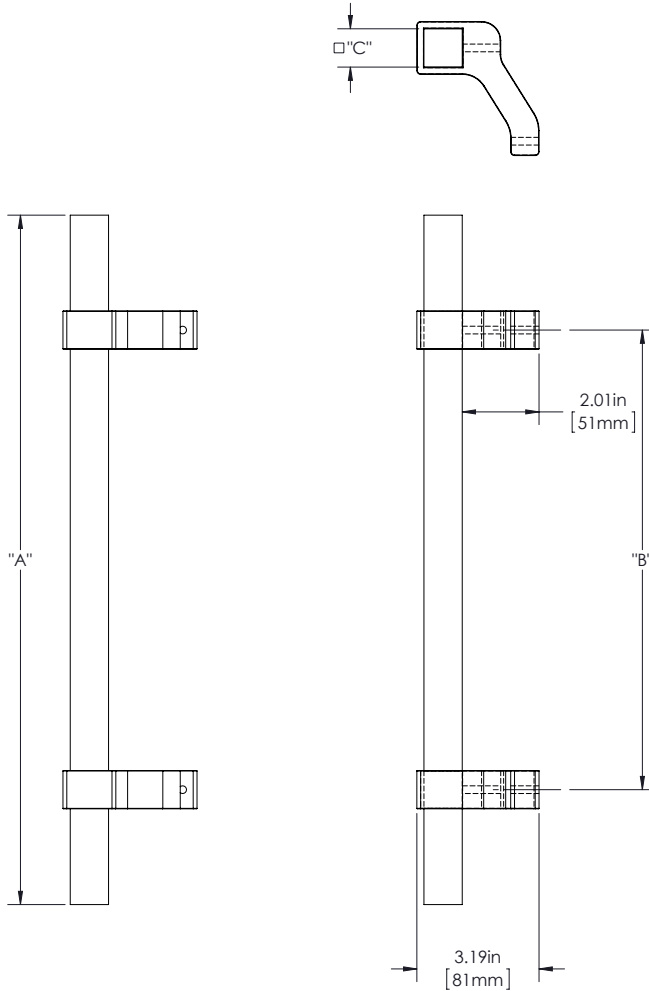




SPECIFICATIONS



Product Description: 1" Solid Square Wood Grip with Wrap Around Offset Square Mounts in Aluminum

Material	Acrylic	Aluminum	Brass	Stainless Steel	Wood
Grip					✓
Mount(s)		✓			

Overall Length "A"	Center To Center "B"	Overall Diameter "C"
12"(305mm)	8"(203mm)	1"(25mm)
24"(610mm)	18"(457mm)	1"(25mm)
36"(914mm)	24"(610mm)	1"(25mm)

Finishes	Cherry	Bubinga	Ipe	Jatoba	Mahogany	White Oak	Teak	Black Walnut
Grip							✓	

Finishes	Aged Brass	Antique Brass	Polished Brass	Satin Brass	Oil Rubbed Bronze	Polished Chrome	Satin Chrome	Polished Nickel	Satin Nickel	Brushed Stainless	Polished Stainless	Powder Coated	Lithonia
Mount(s)	✓	✓	✓	✓	✓	✓	✓	✓	✓			✓	✓

Custom sizes & finishes available upon request

Dimensions are approximate and provided for reference purposes only