

INSTALLATION INSTRUCTIONS

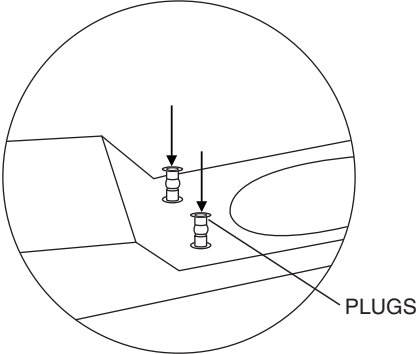
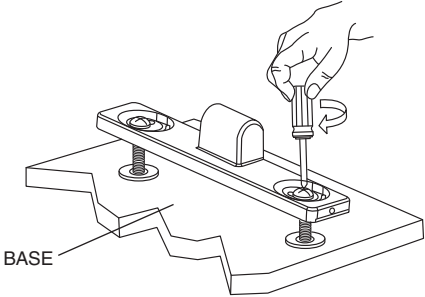
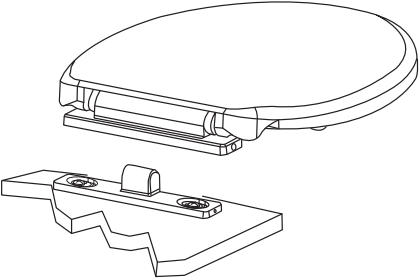
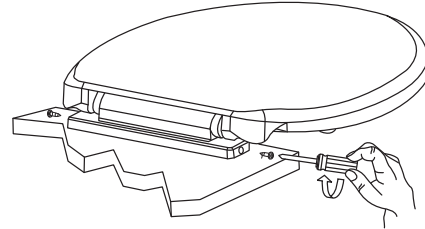


Cossu® Wall-Hung Toilet Seat

Model 5035A10G.XXX

Thank you for selecting DXV. To ensure this product is installed properly, please read these instructions carefully before you begin. (Certain installations may require professional help.) Also be sure your installation conforms to local codes.

▲ CAUTION: PRODUCT IS FRAGILE. TO AVOID BREAKAGE AND POSSIBLE INJURY HANDLE WITH CARE!
NOTE: Pictures may not exactly define contour of china and components.

| | |
|--|---|
| <p>1</p>  <p>Insert plugs into holes of toilet.</p> | <p>2</p>  <p>Install base.</p> |
| <p>3</p>  <p>Place seat into position.</p> | <p>4</p>  <p>Fix seat with screws.</p> |

S
A
V
E

F
O
R

F
U
T
U
R
E

U
S
E

In the United States:
DXV
One Centennial Avenue
Piscataway, New Jersey 08855
Attention: Director of Customer Care

For residents of the United States, warranty information may also be obtained by calling the following toll free number: (800) 227-2734
www.DXV.com

In Canada:
DXV
5900 Avebury Road
Mississauga, Ontario
L5R 3M3
Canada

Toll Free: 1-800-387-0369
Local: 905-306-1093
Fax: 1-800-395-1498
www.DXV.ca

In Mexico:
DXV
Via Morelos 330
Col. Santa Clara Coatitla
Ecatepec, Estado de México 55540

Toll Free: 01-800-8391200
www.DXV.mx