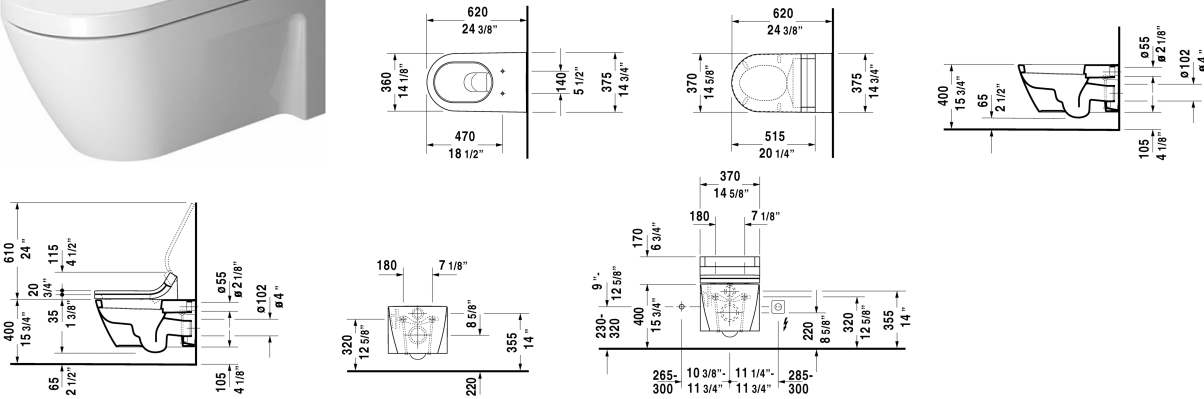


**Starck 2 Toilet wall-mounted ♿ # 2533090092**

| &lt; 14 1/8" Inch &gt; |



| Toilet wall-mounted   | Dimension              | Weight  | Order number |
|---|------------------------|---------|--------------|
| washdown model, Durafix included, suitable for SensoWash Starck, cUPC® listed*  |                        |         |              |
| <b>Colors</b>   |                        |         |              |
| 00 White  |                        |         |              |
| <b>Variant</b>  |                        |         |              |
| ♣ 1.6/0.8 gpf   | 14 1/8" x 24 3/8" Inch | 63.9 lb | 2533090092   |
| <b>Infobox</b>  |                        |         |              |
| <p>* Complies with following standards: ASME A112.19.2/CSA B45.1 and ASME A112.19.14, Durafix for concealed fixation is included, For Starck 2 toilets manufactured before February 2012, the toilet seats without soft-close # 0066910000 and with soft-close # 0066990000 are suitable, In-wall tank &amp; carrier and actuator plate required for installation / Refer to page XXX, Wall-mounted toilet is ADA compliant, when installed with a seat height of 17" - 19" from the finished floor, For suitable SensoWash® shower-toilet seats, please see matrix on page xxx</p> |                        |         |              |
| <p>Sanitary ceramics with the special WonderGliss surface finish will remain clean and attractive-looking for a long time to come.<br/>When ordering WonderGliss please add a "1" as eleventh digit to the model number.</p>  |                        |         |              |
| Sigma 01 flush plate, dual flush for toilets, White   | 9 5/8" x 6 1/2" Inch   |         | 115770       |
| Geberit carrier for toilets   | 19 3/4" x 3 1/8" Inch  | 37.5 lb | 111798       |
| Geberit in-wall tank and carrier for toilets, width 19 3/4", depth 5 1/2", height (adjustable) 43" - 47"  | 19 3/4" x 5 1/2" Inch  | 40.8 lb | 111335       |
| Noise reduction gasket for wall-mounted toilet  |                        | 0.7 lb  | 005064       |

**Starck 2 Toilet wall-mounted  # 2533090092**

|< 14 1/8" Inch >|

**Suitable products**

|  |                               |               |
|--|-------------------------------|---------------|
| <p>SensoWash® Starck shower-toilet seat for Starck 2, Starck 3 and Darling New* rear-, front and oscillating wash, individual adjustment of water-, air- and seat surface temperature as well as nozzle position and jet strength, power actuated lid and seat, night light, 2 individually programmable user profiles, remote control included, self-cleaning wand, on / off-button, Quick release: easy seat unit removal and attachment, 14 5/8" x 20 1/4" Inch</p> | <p>14 5/8" x 20 1/4" Inch</p> | <p>610000</p> |
| <p>Toilet seat and cover elongated, hinges stainless steel, without slow close,</p>  |                               | <p>006332</p> |
| <p>Toilet seat and cover elongated, hinges stainless steel, removable, with slow close,</p>  |                               | <p>006339</p> |

*All drawings contain the necessary measurements which are subject to standard tolerances. They are stated in inch & mm and are non-binding. Exact measurements, in particular for customized installation scenarios, can only be taken from the finished ceramic piece.*