

Bathtub - Series-various

Hand shower set with individual flanges - polished chrome

Article number: 27 803 892-00 0010



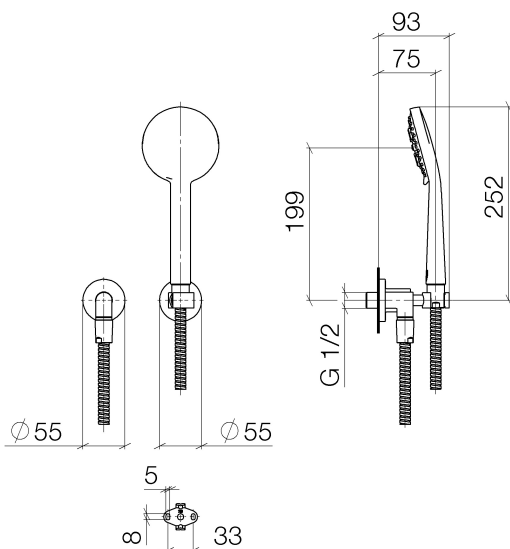
- 3 individual sprays (standard, soft, massage) + 2 combinations (standard+soft, soft+massage)
- Descaling system
- 1/2" Shower outlet
- Wall elbow with flange Ø 2-1/8"
- Wall bracket with flange Ø 2-1/8"
- Metal shower hose 49-1/4" with anti-twist device
- 1/2" wall elbow
- Water flow rate limited to max. 1.8 gpm
- Internal backflow preventer.



polished chrome

Accessory is required for this item.

Dimensional drawing

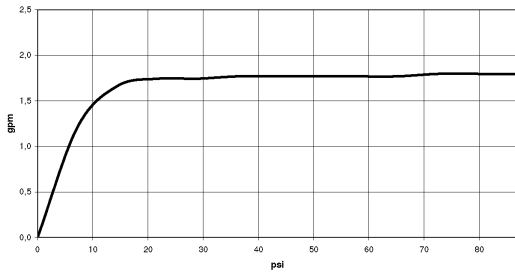




Bathtub - Series-various
Hand shower set with individual flanges - polished chrome
Article number: 27 803 892-00 0010

All dimensions in mm / inch = mm x 0,0394

Flow rate chart





Bathtub - Series-various
Hand shower set with individual flanges - polished chrome
Article number: 27 803 892-00 0010

Other surface finishes



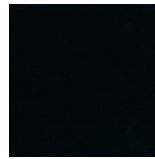
platinum matte
27 803 892-06 0010



platinum
27 803 892-08 0010



Brushed Durabronze
27 803 892-28 0010



black matte
27 803 892-33 0010



Dark Platinum matte
27 803 892-99 0010

More custom finish options are available via special production (xTra Service). Please see our finish matrix for availability and pricing or contact a Dornbracht representative.

Required article

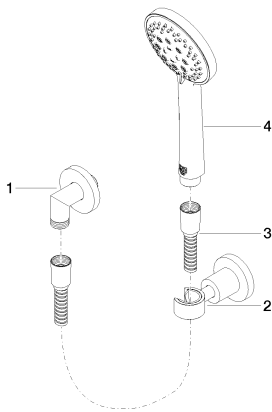


35 080 970-90 0010
Rough-in adapter -



Bathtub - Series-various
Hand shower set with individual flanges - polished chrome
Article number: 27 803 892-00 0010

Spare parts list



Number	Item Number	Designation	Number of units
1	28 450 892-00	connection	1
2	28 050 892-00	Wall bracket - polished chrome	1
3	28 104 970-00	Metal shower hose 1/2" x 1/2" x 49-1/4" - polished chrome	1
4	28 014 979-00 0010	Hand shower - polished chrome	1