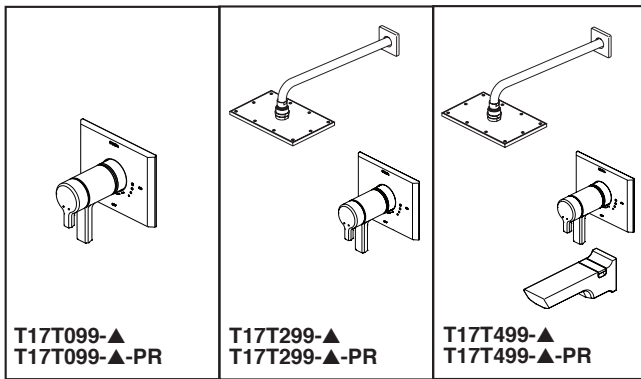




see what Delta can do™

# TUB AND SHOWER FAUCET TRIM



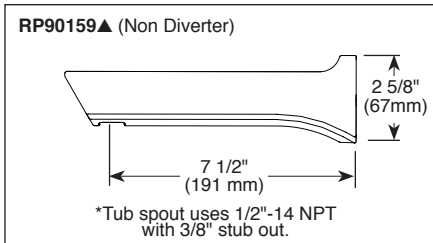
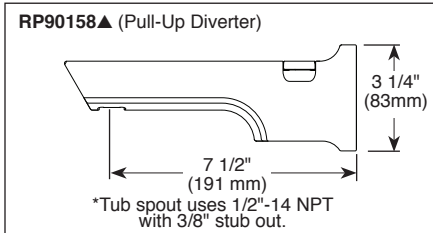
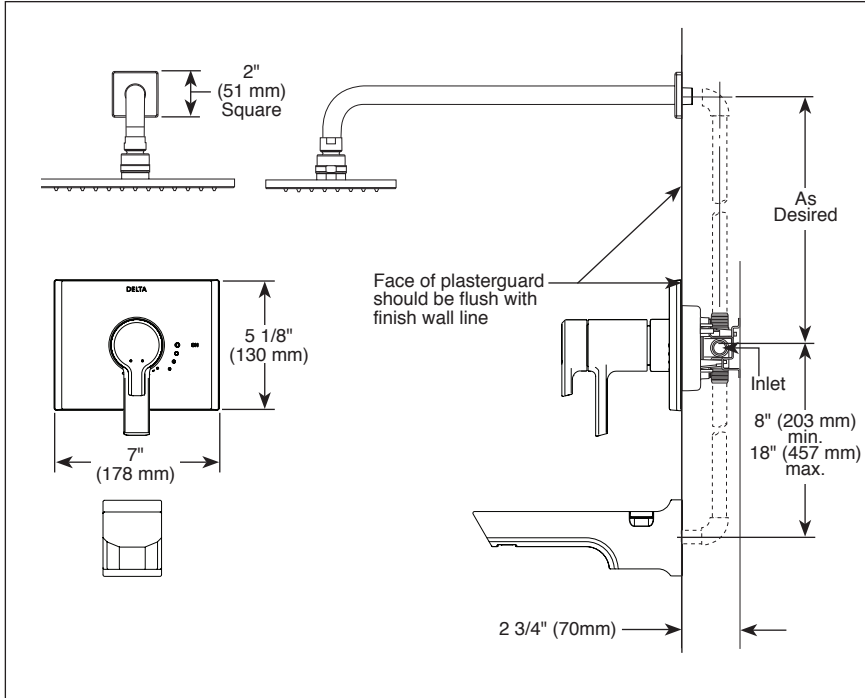
T17T099-▲  
T17T099-▲-PR

T17T299-▲  
T17T299-▲-PR

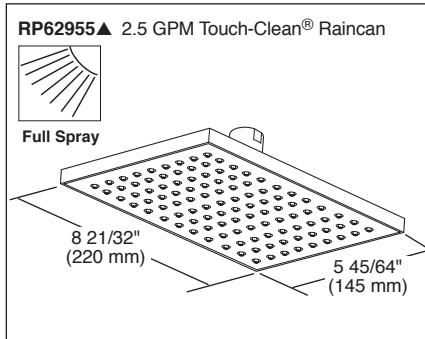
T17T499-▲  
T17T499-▲-PR

Submitted Model No.: \_\_\_\_\_

Specific Features: \_\_\_\_\_



▲ Designate Proper Finish Suffix



## FEATURES:

- TempAssure® 17T thermostatic valve cartridge
- Lumicoat™ Finish (brilliance finishes only) on model numbers with "PR"
- Lumicoat™ Finishes easily wipe clean without cleaners and chemicals on the products most commonly touched areas

## STANDARD SPECIFICATIONS:

- Thermostatic wax element maintains the outlet temperature to  $\pm 3.6^{\circ}\text{F}$
- Maximum 2.5 gpm @ 80 psi, 9.5 L/min @ 550 kPa
- Tub port maximum flow rate 8.6 gpm @ 60 psi with R10000-UNBX
- Must also order MultiChoice® Universal rough separately (R10000 series)
- Back-to-back installation capability
- Lever volume control handle; temperature adjustment dial
- Field adjustable to limit rotation into hot water zone
- All parts are replaceable from the front of the valve
- Adjusts for up to 1" wall thickness
- Red/blue pad print temperature indicator on the temperature adjustment dial
- Stem extension kit RP75136 can be ordered to allow for an additional 1 3/4" wall thickness. RP75136 ships with chrome escutcheon screws.
- Shower arm overall horizontal length = 16" (406 mm), including threaded ends

## WARRANTY

- Parts and Finish - Lifetime limited warranty; or for commercial purchasers, 10 years for multi-family residential (apartments and condominiums) and 5 years for all other commercial uses, in each case from the date of purchase.
- Electronic Parts and Batteries (if applicable) - 5 years from the date of purchase; or for commercial purchasers, 1 year from the date of purchase. No warranty is provided on batteries.

## COMPLIES WITH:

- ASME A112.18.1 / CSA B125.1
- ☑ Indicates compliance to ICC/ANSI A117.1 - Valve control only