

see what Delta can do™

SHOWER HEAD

■ 5-Spray Setting Shower Head

FEATURES:

- Touch-Clean® Nozzles
- H₂Okinetic® Technology Shower Head

STANDARD SPECIFICATIONS:

- Shower head with five settings – pause is a non-positive shut-off
- Standard 1/2" pipe fitting
- Easy-turn spray dial
- Metal ball connector
- Maximum 2.0 gpm @ 80 psi, 7.6 L/min @ 550 kPa (52638-▲20-PK only)
- Maximum 1.75 gpm @ 80 psi, 6.6 L/min @ 550 kPa (52638-▲18-PK only)
- Maximum 1.5 gpm @ 80 psi, 5.7 L/min @ 550 kPa (52638-▲15-PK only)

WARRANTY

- Parts and Finish – Lifetime limited warranty; or for commercial purchasers, 10 years for multi-family residential (apartments and condominiums) and 5 years for all other commercial uses, in each case from the date of purchase.
- Electronic Parts and Batteries (if applicable) – 5 years from the date of purchase; or for commercial purchasers, 1 year from the date of purchase. No warranty is provided on batteries.

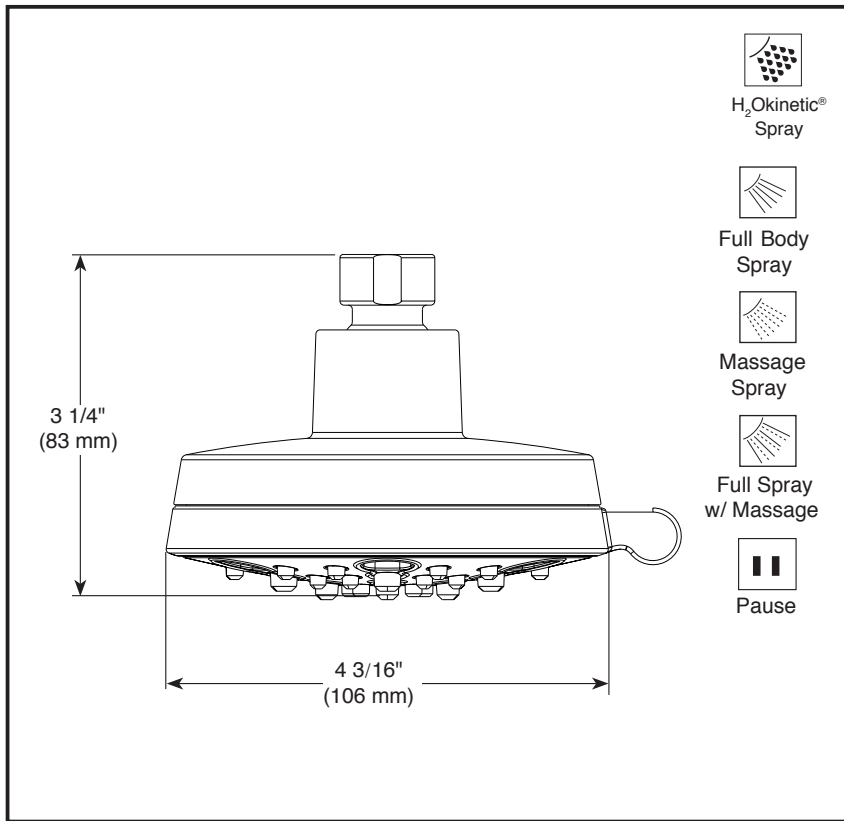


COMPLIES WITH

- ASME A112.18.1 / CSA B125.1
- EPA WaterSense®

Submitted Model No.: _____

Specific Features: _____



▲ Designate proper finish suffix

Delta reserves the right (1) to make changes in specifications and materials, and (2) to change or discontinue models, both without notice or obligation. Dimensions are for reference only. See current full-line price book or www.deltafaucet.com for finish options and product availability.

Delta Faucet Company

55 E. 111th Street, Indianapolis, Indiana 46280
350 South Edgeware Road, St. Thomas, Ontario Canada N5P 4L1
© 2019 Delta Faucet Company