



California Faucets®

CHRISTOPHERGRUBB Collection

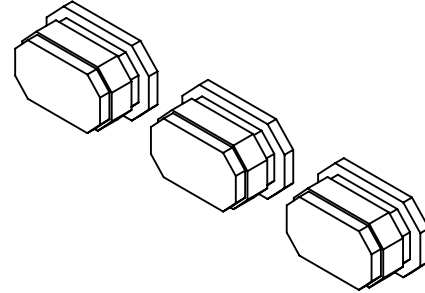
# Doheny™

## 3 Handle Tub and Shower Trim

### TO-C203BL

### Features

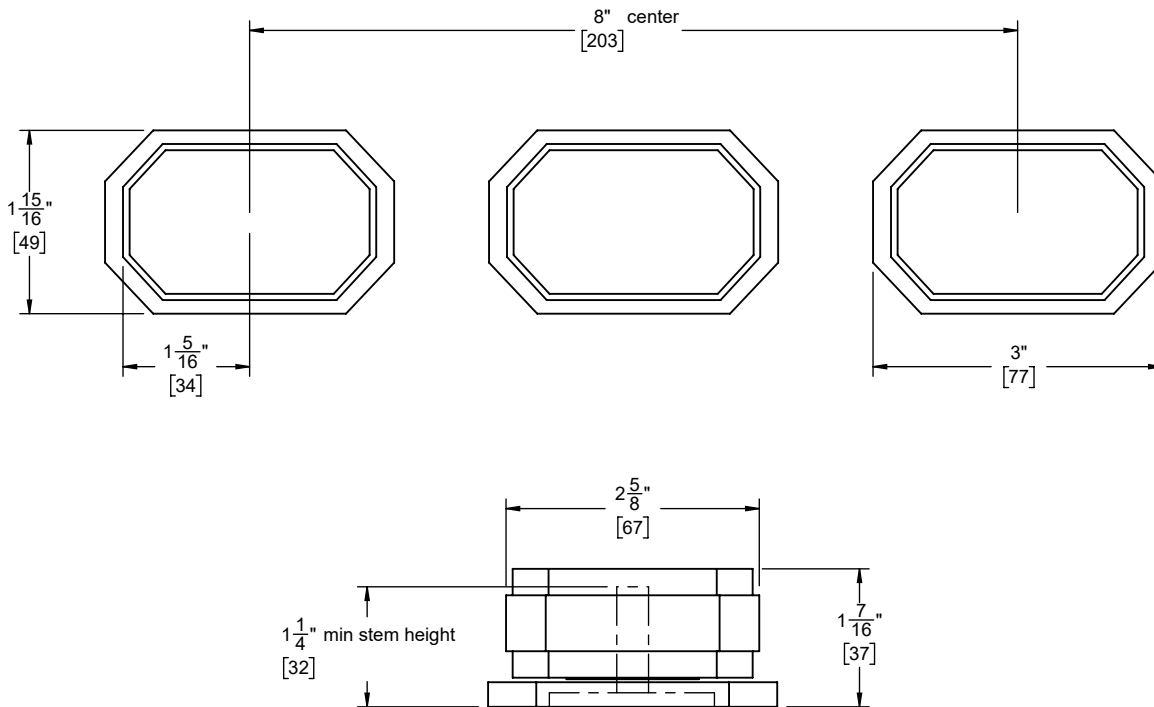
- Available in 28 finishes including 13 PVD finishes
- All brass construction
- Less head, arm, flange, and spout
- Requires rough-in (3-VR) sold separately



### Codes/Standards

Product meets or exceeds the following:

- ASME A112.18.1/CSA B125.1



#### Through-Hole Specifications

	Min	Recommended	Max
Valve:	$\varnothing 1\text{-}1/8$ " [24]	$\varnothing 1\text{-}3/8$ " [32]	$\varnothing 1\text{-}5/8$ " [41]
Diverter:	$\varnothing 1\text{-}1/2$ " [38]	$\varnothing 1\text{-}1/2$ " [38]	$\varnothing 1\text{-}5/8$ " [41]

Dimensions are inches, rounded to 1/16"  
[Dimensions in brackets are mm, rounded to 1mm]

Specifications subject to change without notice