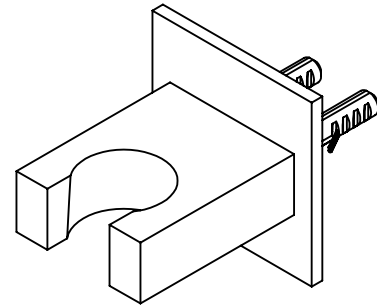




### Features

- Accepts most conical handshower hose
- Includes all mounting hardware
- Solid brass construction
- Over 30 finishes including 14 PVD finishes

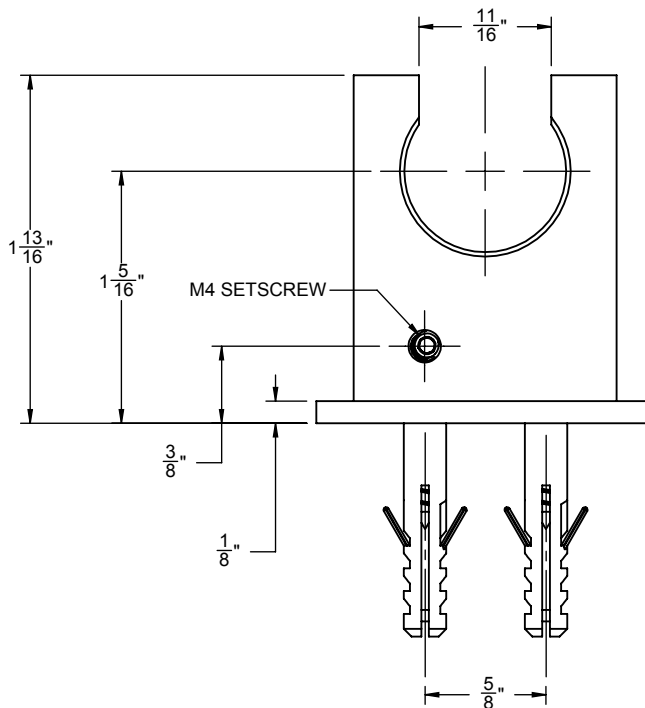
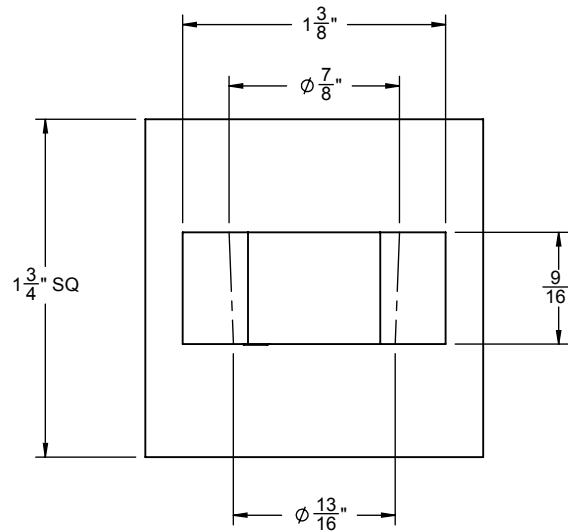
### SH-20-72



### Codes/Standards Applicable

Meets or exceeds the following at date of manufacture:

- ASME A112.18.1/CSA B125.1



FASTENER TYPE	DRILL SIZE
SCREW ONLY	Ø 1/8"
ANCHOR & SCREW	Ø 1/4"

ALL DIMENSIONS SHOWN TO NEAREST 1/16"