



K51-123S-XX

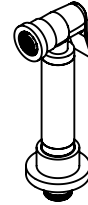
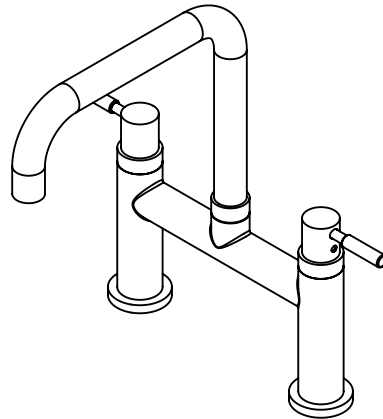
Features

- 25+ artisanal finishes including 12 PVD finishes
- All brass construction
- Spout rotates 360°
- 3-hole deck mount installation
- Built-in diverter for sidespray
- Insulated brass sidespray handle and trigger
- Mixed water supplied to sidespray without separate valve
- Flexible braided hoses for ease of installation
- 1/4 turn ceramic disc cartridge(s)
- 1.8 gpm (6.8 L/min) max flow rate

Codes/Standards Applicable

Product meets or exceeds the following:

- ASME A112.18.1/CSA B125.1
- NSF 61, NSF 372, CEC & DOE
- Commonwealth of MA
- ADA compliant (with lever handles)

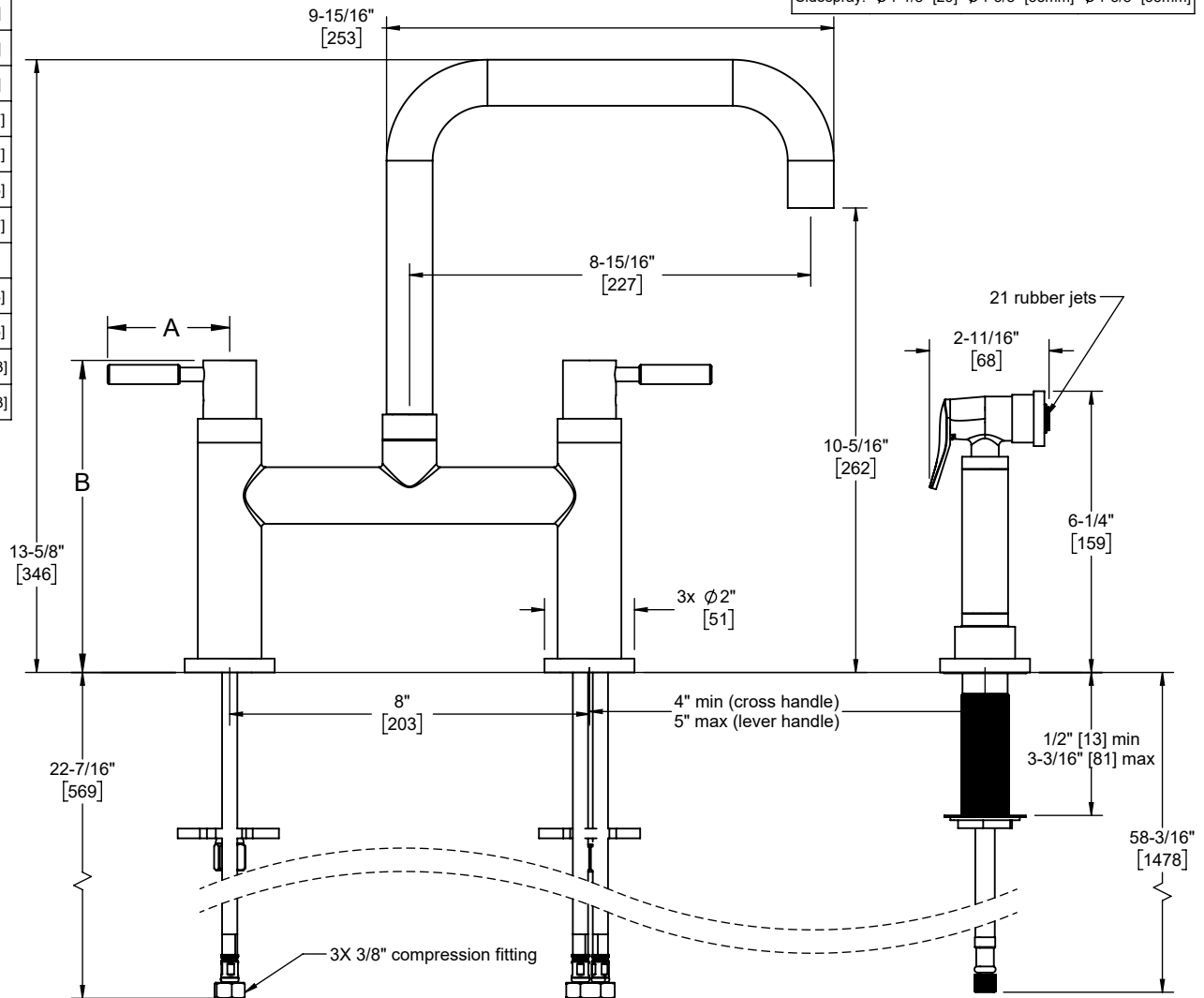


K51-123S-62-ZZ shown



Handle Style	A	B
45	3" [76]	6-11/16" [169]
45X	1-3/8" [35]	6-9/16" [167]
52	2-3/4" [69]	7-1/16" [179]
52B	2-3/4" [69]	7-1/16" [179]
62	2-11/16" [69]	6-15/16" [177]
62B	2-11/16" [69]	6-15/16" [177]
65	1-3/8" [36]	6-13/16" [173]
66	2-5/8" [66]	6-15/16" [177]
74	3" [76]	7-1/8" [181]
E3	2-3/4" [70]	6-13/16" [173]
E3B	2-3/4" [70]	6-13/16" [173]
E3RB	3" [76]	7-3-3/16" [183]
E3BRB	3" [76]	7-3-3/16" [183]

Through-Hole Specifications			
	Min	Recommended	Max
Faucet:	Ø 1-1/8" [29]	Ø 1-3/8" [35mm]	Ø 1-3/8" [35mm]
Sidespray:	Ø 1-1/8" [29]	Ø 1-3/8" [35mm]	Ø 1-3/8" [35mm]



Specifications subject to change without notice

Dimensions are inches, rounded to 1/16"
[Dimensions in brackets are mm, rounded to 1mm]