



### Features

- Available in 27 finishes including 12 PVD finishes
- All brass construction
- Spout has easy Quick Connect fitting
- Max Flow Rate: 16gpm (60.6 L/min) at 60 psi
- Comes as complete set with trim and valves

4608  
4708

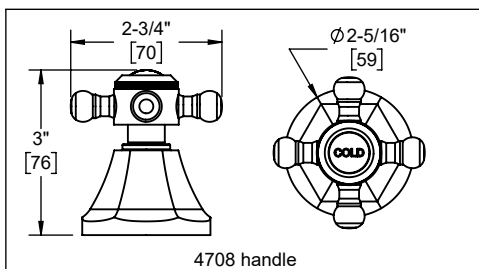
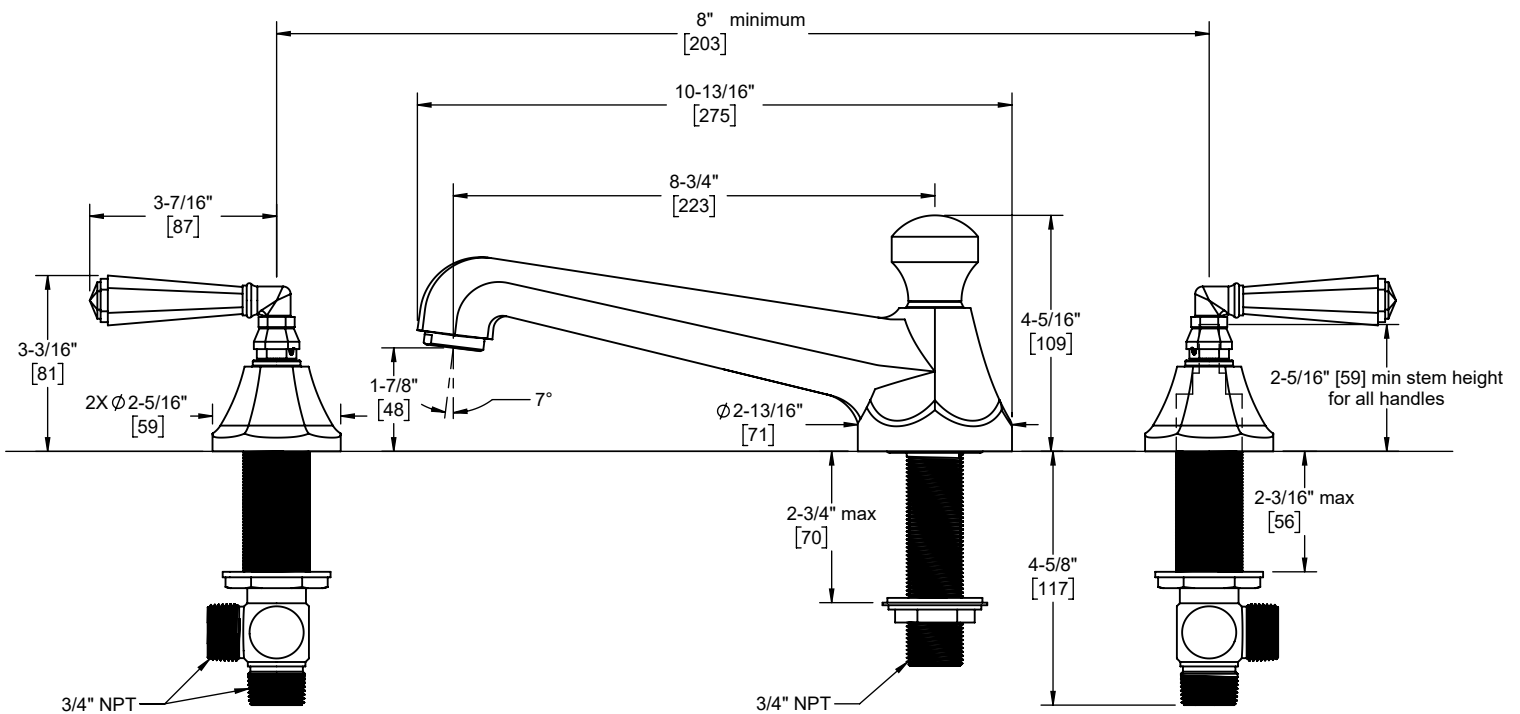


4608 shown

### Codes/Standards Applicable

Product meets or exceeds the following:

- ASME A112.18.1/CSA B125.1
- ADA compliant (lever handle only)
- Installation of upstream tempering device may be required (verify local codes)



Through-Hole Specifications			
	Min	Recommended	Max
Spout: $\varnothing 1-1/4"$	$\varnothing 1-3/8"$	$\varnothing 1-3/8"$	$\varnothing 1-3/8"$
	[32]	[35]	[35]
Valve: $\varnothing 1-1/4"$	$\varnothing 1-3/8"$	$\varnothing 1-3/8"$	$\varnothing 1-1/2"$
	[32]	[35]	[38]

Specifications subject to change without notice

Dimensions are inches, rounded to 1/16"  
[Dimensions in brackets are mm, rounded to 1mm]