



California Faucets®

Descanso®

INDUSTRIAL FLOOR MOUNT TUB FILLER WITH HANDSHOWER

Features

- Available in 28 finishes including 13 PVD finishes
- All brass construction
- No additional wall or trap stabilizer kit required
- Tub filler: Maximum flow rate: 15 gpm (56.8 L/min) at 60 psi
- Handshower: Flow rate: 2.0 gpm (7.6 L/min) or 1.8 gpm (6.8 L/min)
- Handshower bracket may be placed on COLD or HOT side of body
- 1/4 turn ceramic disc cartridges
- Rough kit (9516) sold separately

1003-XX.20
1003-XX.18

Codes/Standards Applicable

Product meets or exceeds the following:

- ASME A112.18.1/CSA B125.1
- CEC (1.8 gpm) / DOE (2.0 & 1.8 gpm)
- Commonwealth of MA
- EPA WaterSense handshower (2.0 gpm)
- ADA compliant (with lever handles)
- Local codes may require installation of an upstream tempering valve

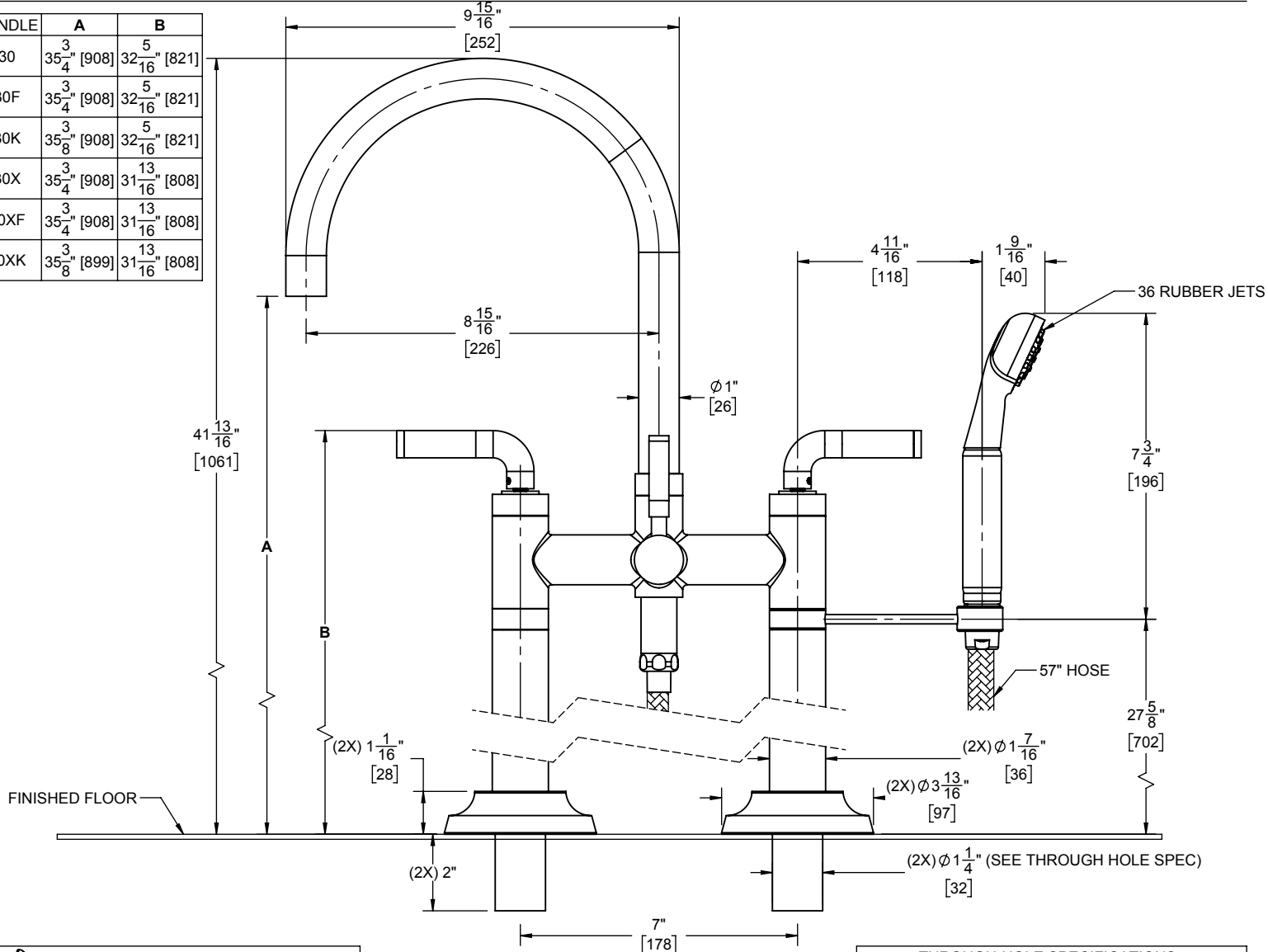


1003-30F.FR SHOWN



XX = DENOTES HANDLE SERIES
HANDLE SERIES

| HANDLE | A | B |
|--------|--|--|
| 30 | 35 ³ / ₄ " [908] | 32 ⁵ / ₁₆ " [821] |
| 30F | 35 ³ / ₄ " [908] | 32 ⁵ / ₁₆ " [821] |
| 30K | 35 ³ / ₈ " [908] | 32 ⁵ / ₁₆ " [821] |
| 30X | 35 ³ / ₄ " [908] | 31 ¹³ / ₁₆ " [808] |
| 30XF | 35 ³ / ₄ " [908] | 31 ¹³ / ₁₆ " [808] |
| 30XK | 35 ³ / ₈ " [899] | 31 ¹³ / ₁₆ " [808] |



- (8X) CONCRETE TRI-LOBE ANCHOR
- (8X) #10 X 2 STAINLESS STEEL SCREW

| THROUGH-HOLE SPECIFICATIONS | | |
|-----------------------------|----------------|---------------|
| MIN | RECOMMENDED | MAX |
| Ø 1-1/4" [32] | Ø 1-5/16" [33] | Ø 1-1/2" [38] |

ALL DIMENSIONS SHOWN TO NEAREST 1/16"
[ALL DIMENSIONS SHOWN TO NEAREST 1MM]

SPECIFICATIONS SUBJECT TO CHANGE WITHOUT NOTICE