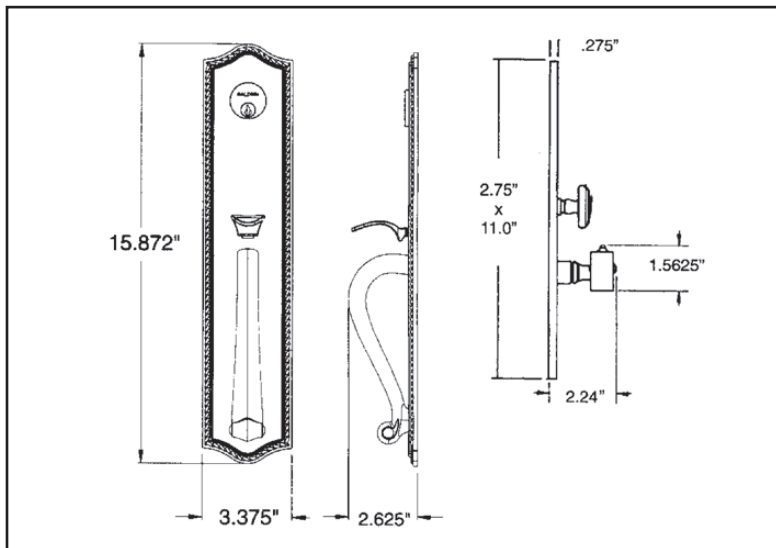


BALDWIN®

6963 - BRISTOL ESTATE HANDLESET

SPECIFICATIONS

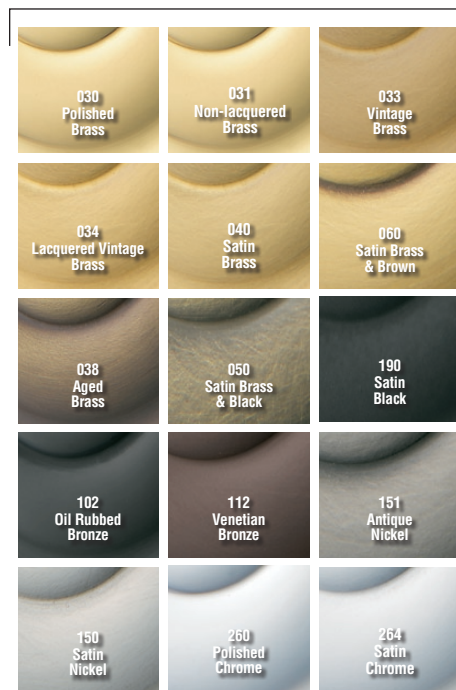


- > Accessibility Code (ADA) A117.1 for all levers.
- > Certified by Underwriters Laboratories (UL) for use on fire doors up to three-hour rating
- > U L10C / UBC 7-2 (1997) Positive Pressure Rated, UL10B Pressure Rated
- > Material: Solid Forged Brass

SHOWN WITH LEVER 5104



TIER 1 FINISHES



TIER 2 FINISHES

