



# Submittal Sheet

Aquatic products may be specified as Lasco Bathware.

# 16034BFSCTTR

ADA compliant without Seat

CUSTOMER: \_\_\_\_\_

JOB NAME: \_\_\_\_\_

PO #: \_\_\_\_\_ QUOTE #: \_\_\_\_\_

DATE: \_\_\_\_\_ QUANTITY: \_\_\_\_\_

SHIP TO: \_\_\_\_\_

\_\_\_\_\_/\_\_\_\_\_/\_\_\_\_\_  
PLUMBING CONTRACTOR APPROVAL DATE

\_\_\_\_\_/\_\_\_\_\_/\_\_\_\_\_  
GENERAL CONTRACTOR APPROVAL DATE

\_\_\_\_\_/\_\_\_\_\_/\_\_\_\_\_  
ENGINEER APPROVAL DATE

\_\_\_\_\_/\_\_\_\_\_/\_\_\_\_\_  
ARCHITECT APPROVAL DATE

## CONFIGURATION (handed by fixture wall)

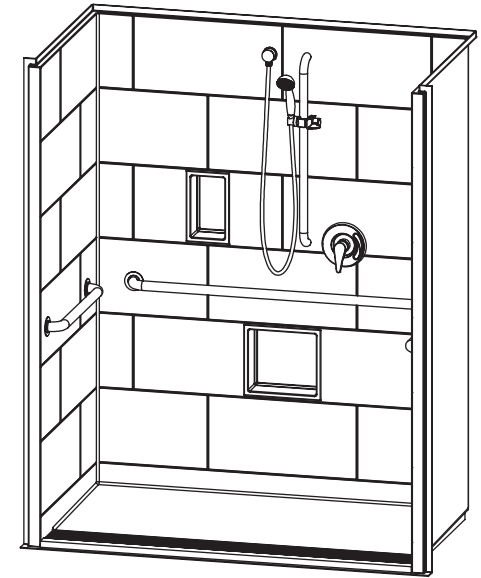
- Shell reinforced for future accessory installation
  - Fixture wall  LH  RH  Back wall
  - Optional vertical bar reinforcement (entry wall)
    - LH  RH  Both
- Fully configured without seat — ADA
  - Seat Location  LH  RH
 Includes two 24" x 1 1/4" diameter stainless grab bar located on the side walls; One 48" x 1 1/4" diameter stainless grab bar located on the back wall; pressure balancing mixing valve; hand-held shower assembly; and stainless steel grate per ADA guidelines.

## CUSTOM OPTIONS (not available if ADA configuration is selected)

- Grab bars:
- Two 24" (side walls) and one 48" (back wall)
    - Stainless steel (1 1/4" dia.)
    - Powder-coated white (1 1/4" dia.)
  - Fixture wall  LH  RH  Back wall
  - Hand-held shower assembly with 30" slide bar and 60" hose
  - Pressure balancing mixing valve
- Grate:
- Stainless steel
  - White

## OPTIONAL ACCESSORIES (available for all models)

- Large soap dish (12 1/2 W x 3 1/2 D x 11 1/2 H), shipped loose
  - Small soap dish (7 W x 3 1/2 D x 11 1/2 H), shipped loose
  - Curtain rod (Not ADA compliant)
  - Shower curtain
  - Brass drain
- Colors:
- Standard  White
  - Upgraded  Biscuit  Bone
  - Other (contact customer service for custom color options)
- Additional accessories:



## STANDARD FEATURES

- Pre-leveled base
- AcrylX™ applied acrylic surface
- 1 1/8" skirt
- Compliant when properly installed
- Center drain outlet
- Integral front trench drain
- Lifetime Limited Warranty Residential Use/ 30-year Commercial Use
- 12" x 24" subway tile
- Slip resistant, textured bottom [ASTM F-462]
- Code compliant when fully equipped and installed according to guidelines

- Int. Dim. 60 W x 34 D x 76 3/4 H
- Ext. Dim. 66 W x 36 1/8 D x 78 3/4 H
- Skirt Ht. 1 1/8 skirt
- Packaged Wt. 210 lbs.
- Material AcrylX™ applied acrylic
- Warranty Lifetime Limited Residential Use/ 30-year Commercial Use\*

\* See terms and conditions for details

inches

To complete your order, this document must be signed and faxed to the Aquatic Centralized Customer Service Center.

**Fax (866) 544-5353 • Phone (800) 945-2726**

For pricing of units and additional options, reference the Aquatic Price Book. • Please indicate custom changes on reverse side drawings.

Rev. 07.27.20

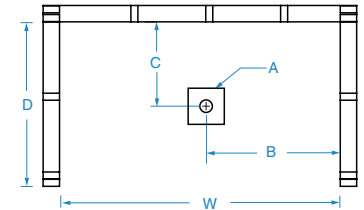
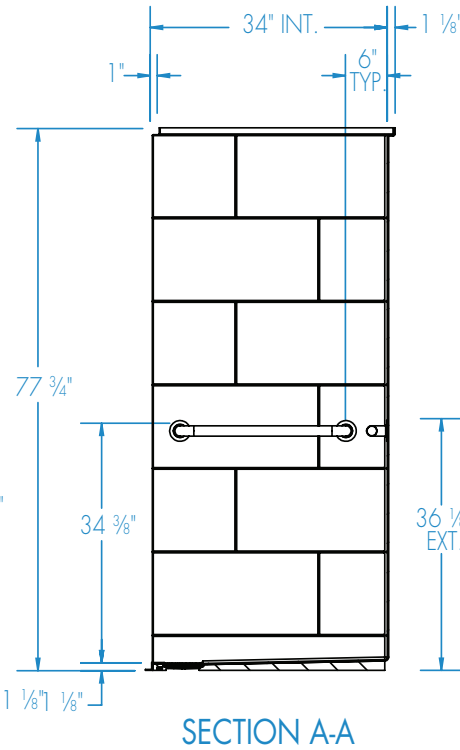
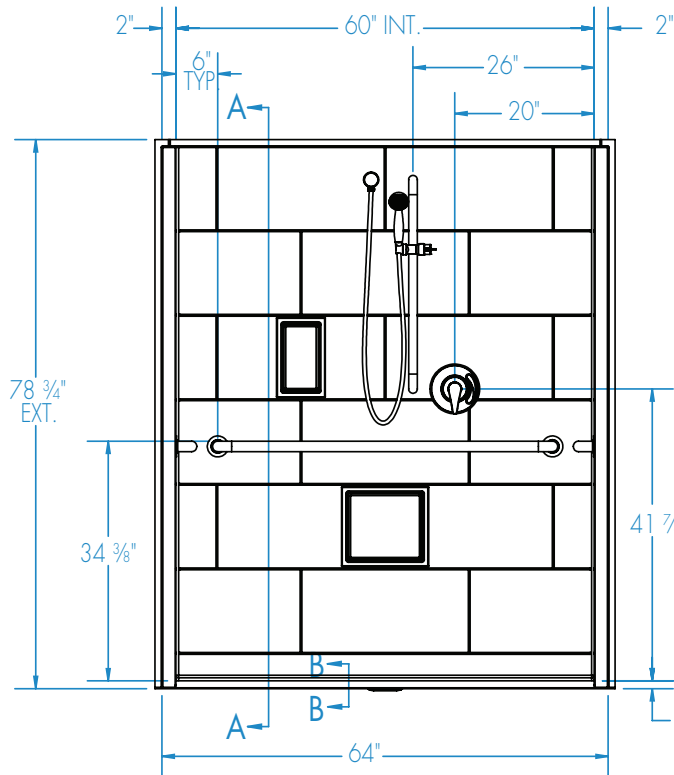


# Submittal Sheet

Aquatic products may be specified as Lasco Bathware.

# 16034BFSCTTR

ADA compliant without Seat  
Please indicate changes needed.

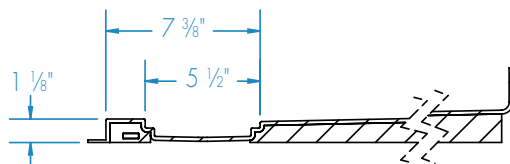
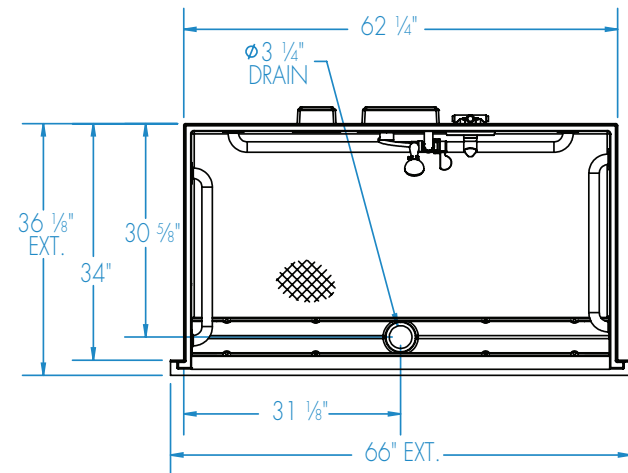


FRAMING DIMENSIONS inches (mm)

Type	D Depth	W Width	A	B	C
Alcove	34	62 1/4	Box Out	31 1/8	30 5/8

**Installation Options:**

1. Install in a recessed pit for rough-in floor installation.
2. Build sub-floor to level finished floor with top of shower threshold.



**SECTION B-B**  
trench grate (included), not shown

ADA/ANSI compliant when fully equipped and installed according to guidelines.

Shell tolerance: +0, -3/8" All other tolerances: ±1"

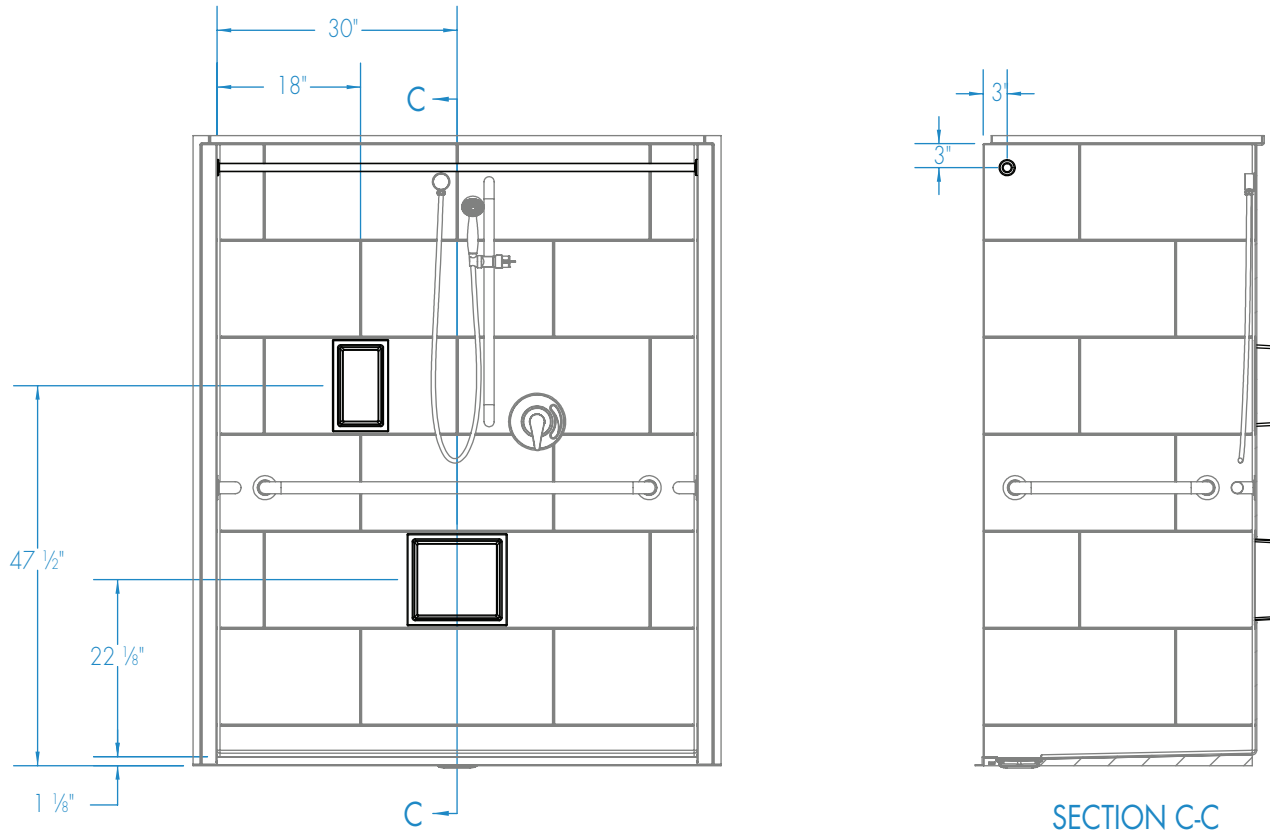


# Submittal Sheet

Aquatic products may be specified as Lasco Bathware.

**16034BFSCCTR** ADA compliant without Seat  
Please indicate changes needed.

## Curtain Rod and Soap Dish Locations (Standard Valve Configuration)



Shell tolerance: +0, - 3/8" All other tolerances: ±1"